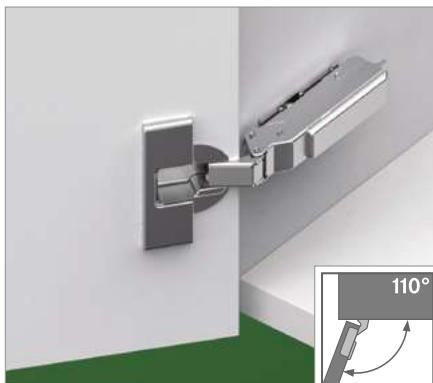


TIOMOS панта клипс 110 градуса (до 24 мм дебелина на вратата)



- Отваряне 110°
- Оптимална за дебелини до 24 мм
- Реглаж в дълбочина
- Минимална фуга
- 3 Д реглаж с подходяща основа

- Има ги в 3 варианта**
- С вградено плавно (3 степенно регулиране на силата)
 - Без плавно затваряне
 - Без пружина

ИНФОРМАЦИЯ ЗА ПОРЪЧКА ЗА РАЗПРОБИВАНЕ 45/9.5

Припокриване	Отстъп	Плавно		Без пружина	Код/цена			
		Със	Без		Клипс		Impresso	Цена
				Монтаж с винтове	Цена	Без винтове за чашката		
	0	■	-	-	0033-F028 138 519 228	6.20лв		
		-	■	-	0033-F045 138 457 228	3.90 лв		
		-	■	■	0033-F046 138 579 228	4.00лв	-	
Покрит кант, ¹ ниско рамо	3	■	-	-	0033-F028 138 520 228	5.31лв	0033-F017 139 500 228	6.61 лв
		-	■	-	0033-F045 138 458 228	3.03 лв		
		-	■	■	0033-F046 138 580 228	3.25лв	-	
Полуокрит кант, ² средно рамо	9.5	■	-	-	0033-F028 138 521 228	6.51 лв	0033-F017 139 501 217	7.90 лв
		-	■	-	0033-F045 138 459 228	4.17 лв		
		-	■	■	0033-F046 138 581 217	4.54 лв	-	
Открит кант, ² високо рамо	19	■	-	-	0033-F028 138 522 228	6.93 лв	0033-F017 139 502 228	8.26 лв
		-	■	-	0033-F045 138 460 228	4.60 лв		
		-	■	■	0033-F046 138 582 217	4.97 лв	-	

¹ Материал на чашката: стомана, никел / материал на тялото: стомана, никел

² Материал на чашката: стомана, никел / материал на тялото: цам, никел

Основа /за повече видове виж накрая/

	Описание	Код	Цена
	Основа за панта Tiomos клипс, закрепване с винт за дърво ф3.5 x 15 мм	0033-F058 139 721 228	0.47 лв

Капачки

	Описание	За застъп	Надпис	Код	Цена
	Капачка за тяло на панта Tiomos, стомана, никел, надпис GRASS	0/3/9.5/19	Лого GRASS	0033-F072 135 550 247	0.21 лв
	Капачка за чашка на панта Tiomos, стомана, никел, без надпис	0/3/9.5/19	-	0033-F072 1355 03 540	0.52 лв

Акcesoари

	Описание	Код/цена	Designation	Art.-no.
	Скоба за намаляване на ъгъла на отваряне на 85 гр.	0033-F072 135 751 540 0.90 лв		Countersunk wood screw Ø 3.5 x 15 mm
	Tirmatic Plus кръгъл, за отвор ф10x60 мм	0033-F069 135 061 513 9.18 лв		Unclipping protector

TIOMOS панта клипс 110 градуса (до 24 мм дебелина на вратата)

ИНФОРМАЦИЯ ЗА МОНТАЖ

All dimensions in millimetres

Full overlay	K0	Overlay	K3	Half overlay	K9.5	Inset ¹	K19																																																																																																																																																																																																																																																																																																																																																																																																																																																		
<p>Mounting plate height 2</p>		<p>Mounting plate height 2</p>		<p>Mounting plate height 2</p>		<p>Mounting plate height 2 ¹ Set mounting plate back by door thickness + 1.5 mm</p>																																																																																																																																																																																																																																																																																																																																																																																																																																																			
<table border="1"> <thead> <tr> <th colspan="2">Cup distance</th> <th colspan="5"></th> </tr> <tr> <th>0</th> <th></th> <th>3</th> <th>4</th> <th>5</th> <th>6</th> <th>7</th> </tr> </thead> <tbody> <tr><td>24.0</td><td></td><td></td><td></td><td></td><td></td><td>-2</td></tr> <tr><td>23.0</td><td></td><td></td><td></td><td></td><td>-2</td><td></td></tr> <tr><td>22.0</td><td></td><td></td><td></td><td>-2</td><td></td><td>0</td></tr> <tr><td>21.0</td><td></td><td></td><td>-2</td><td></td><td>0</td><td></td></tr> <tr><td>20.0</td><td>-2</td><td></td><td>0</td><td></td><td>2</td><td></td></tr> <tr><td>19.0</td><td></td><td>0</td><td></td><td>2</td><td>3</td><td></td></tr> <tr><td>18.5</td><td></td><td></td><td></td><td></td><td>3.5</td><td></td></tr> <tr><td>18.0</td><td>0</td><td></td><td>2</td><td>3</td><td></td><td></td></tr> <tr><td>17.5</td><td></td><td></td><td></td><td></td><td>3.5</td><td></td></tr> <tr><td>17.0</td><td></td><td>2</td><td>3</td><td></td><td></td><td></td></tr> <tr><td>16.5</td><td></td><td></td><td>3.5</td><td></td><td></td><td></td></tr> <tr><td>16.0</td><td>2</td><td>3</td><td></td><td></td><td></td><td></td></tr> <tr><td>15.5</td><td></td><td>3.5</td><td></td><td></td><td></td><td></td></tr> <tr><td>15.0</td><td>3</td><td></td><td></td><td></td><td></td><td></td></tr> <tr><td>14.5</td><td>3.5</td><td></td><td></td><td></td><td></td><td></td></tr> </tbody> </table> <p>Door overlay</p> <p>Mounting plate height</p>		Cup distance							0		3	4	5	6	7	24.0						-2	23.0					-2		22.0				-2		0	21.0			-2		0		20.0	-2		0		2		19.0		0		2	3		18.5					3.5		18.0	0		2	3			17.5					3.5		17.0		2	3				16.5			3.5				16.0	2	3					15.5		3.5					15.0	3						14.5	3.5						<table border="1"> <thead> <tr> <th colspan="2">Cup distance</th> <th colspan="5"></th> </tr> <tr> <th>3</th> <th></th> <th>3</th> <th>4</th> <th>5</th> <th>6</th> <th>7</th> </tr> </thead> <tbody> <tr><td>21.0</td><td></td><td></td><td></td><td></td><td></td><td>-2</td></tr> <tr><td>20.0</td><td></td><td></td><td></td><td></td><td>-2</td><td></td></tr> <tr><td>19.0</td><td></td><td></td><td></td><td>-2</td><td></td><td>0</td></tr> <tr><td>18.0</td><td></td><td></td><td>-2</td><td></td><td>0</td><td></td></tr> <tr><td>17.0</td><td>-2</td><td></td><td>0</td><td></td><td>2</td><td></td></tr> <tr><td>16.5</td><td></td><td></td><td></td><td>0</td><td>2</td><td>3</td></tr> <tr><td>16.0</td><td></td><td></td><td>0</td><td></td><td>2</td><td>3</td></tr> <tr><td>15.5</td><td></td><td></td><td></td><td></td><td></td><td>3.5</td></tr> <tr><td>15.0</td><td>0</td><td></td><td>2</td><td>3</td><td></td><td></td></tr> <tr><td>14.5</td><td></td><td></td><td></td><td></td><td>3.5</td><td></td></tr> <tr><td>14.0</td><td></td><td>2</td><td>3</td><td></td><td></td><td></td></tr> <tr><td>13.5</td><td></td><td></td><td>3.5</td><td></td><td></td><td></td></tr> <tr><td>13.0</td><td>2</td><td>3</td><td></td><td></td><td></td><td></td></tr> <tr><td>12.5</td><td></td><td>3.5</td><td></td><td></td><td></td><td></td></tr> <tr><td>12.0</td><td>3</td><td></td><td></td><td></td><td></td><td></td></tr> <tr><td>11.5</td><td>3.5</td><td></td><td></td><td></td><td></td><td></td></tr> </tbody> </table> <p>Door overlay</p> <p>Mounting plate height</p>		Cup distance							3		3	4	5	6	7	21.0						-2	20.0					-2		19.0				-2		0	18.0			-2		0		17.0	-2		0		2		16.5				0	2	3	16.0			0		2	3	15.5						3.5	15.0	0		2	3			14.5					3.5		14.0		2	3				13.5			3.5				13.0	2	3					12.5		3.5					12.0	3						11.5	3.5						<table border="1"> <thead> <tr> <th colspan="2">Cup distance</th> <th colspan="5"></th> </tr> <tr> <th>9.5</th> <th></th> <th>3</th> <th>4</th> <th>5</th> <th>6</th> <th>7</th> </tr> </thead> <tbody> <tr><td>14.5</td><td></td><td></td><td></td><td></td><td></td><td>-2</td></tr> <tr><td>13.5</td><td></td><td></td><td></td><td></td><td>-2</td><td></td></tr> <tr><td>12.5</td><td></td><td></td><td></td><td>-2</td><td></td><td>0</td></tr> <tr><td>11.5</td><td></td><td></td><td>-2</td><td></td><td>0</td><td></td></tr> <tr><td>10.5</td><td>-2</td><td></td><td>0</td><td></td><td>2</td><td></td></tr> <tr><td>10.0</td><td></td><td></td><td></td><td>0</td><td>2</td><td>3</td></tr> <tr><td>9.5</td><td></td><td>0</td><td></td><td>2</td><td>3</td><td></td></tr> <tr><td>9.0</td><td></td><td></td><td></td><td></td><td>3.5</td><td></td></tr> <tr><td>8.5</td><td>0</td><td></td><td>2</td><td>3</td><td></td><td></td></tr> <tr><td>8.0</td><td></td><td></td><td></td><td></td><td>3.5</td><td></td></tr> <tr><td>7.5</td><td></td><td>2</td><td>3</td><td></td><td></td><td></td></tr> <tr><td>7.0</td><td></td><td></td><td>3.5</td><td></td><td></td><td></td></tr> <tr><td>6.5</td><td>2</td><td>3</td><td></td><td></td><td></td><td></td></tr> <tr><td>6.0</td><td></td><td>3.5</td><td></td><td></td><td></td><td></td></tr> <tr><td>5.5</td><td>3</td><td></td><td></td><td></td><td></td><td></td></tr> <tr><td>5.0</td><td>3.5</td><td></td><td></td><td></td><td></td><td></td></tr> </tbody> </table> <p>Door overlay</p> <p>Mounting plate height</p>		Cup distance							9.5		3	4	5	6	7	14.5						-2	13.5					-2		12.5				-2		0	11.5			-2		0		10.5	-2		0		2		10.0				0	2	3	9.5		0		2	3		9.0					3.5		8.5	0		2	3			8.0					3.5		7.5		2	3				7.0			3.5				6.5	2	3					6.0		3.5					5.5	3						5.0	3.5						<table border="1"> <thead> <tr> <th colspan="2">Cup distance</th> <th colspan="5"></th> </tr> <tr> <th>19</th> <th></th> <th>3</th> <th>4</th> <th>5</th> <th>6</th> <th>7</th> </tr> </thead> <tbody> <tr><td>0.0</td><td></td><td></td><td>0</td><td></td><td>2</td><td>3</td></tr> <tr><td>0.5</td><td></td><td></td><td></td><td></td><td></td><td>3.5</td></tr> <tr><td>1.0</td><td>0</td><td></td><td></td><td>2</td><td>3</td><td></td></tr> <tr><td>1.5</td><td></td><td></td><td></td><td></td><td>3.5</td><td></td></tr> <tr><td>2.0</td><td></td><td></td><td>2</td><td>3</td><td></td><td></td></tr> <tr><td>3.0</td><td>2</td><td>3</td><td></td><td></td><td></td><td></td></tr> <tr><td>4.0</td><td>3</td><td></td><td></td><td></td><td></td><td></td></tr> </tbody> </table> <p>Door reveal</p> <p>Mounting plate height</p>		Cup distance							19		3	4	5	6	7	0.0			0		2	3	0.5						3.5	1.0	0			2	3		1.5					3.5		2.0			2	3			3.0	2	3					4.0	3					
Cup distance																																																																																																																																																																																																																																																																																																																																																																																																																																																									
0		3	4	5	6	7																																																																																																																																																																																																																																																																																																																																																																																																																																																			
24.0						-2																																																																																																																																																																																																																																																																																																																																																																																																																																																			
23.0					-2																																																																																																																																																																																																																																																																																																																																																																																																																																																				
22.0				-2		0																																																																																																																																																																																																																																																																																																																																																																																																																																																			
21.0			-2		0																																																																																																																																																																																																																																																																																																																																																																																																																																																				
20.0	-2		0		2																																																																																																																																																																																																																																																																																																																																																																																																																																																				
19.0		0		2	3																																																																																																																																																																																																																																																																																																																																																																																																																																																				
18.5					3.5																																																																																																																																																																																																																																																																																																																																																																																																																																																				
18.0	0		2	3																																																																																																																																																																																																																																																																																																																																																																																																																																																					
17.5					3.5																																																																																																																																																																																																																																																																																																																																																																																																																																																				
17.0		2	3																																																																																																																																																																																																																																																																																																																																																																																																																																																						
16.5			3.5																																																																																																																																																																																																																																																																																																																																																																																																																																																						
16.0	2	3																																																																																																																																																																																																																																																																																																																																																																																																																																																							
15.5		3.5																																																																																																																																																																																																																																																																																																																																																																																																																																																							
15.0	3																																																																																																																																																																																																																																																																																																																																																																																																																																																								
14.5	3.5																																																																																																																																																																																																																																																																																																																																																																																																																																																								
Cup distance																																																																																																																																																																																																																																																																																																																																																																																																																																																									
3		3	4	5	6	7																																																																																																																																																																																																																																																																																																																																																																																																																																																			
21.0						-2																																																																																																																																																																																																																																																																																																																																																																																																																																																			
20.0					-2																																																																																																																																																																																																																																																																																																																																																																																																																																																				
19.0				-2		0																																																																																																																																																																																																																																																																																																																																																																																																																																																			
18.0			-2		0																																																																																																																																																																																																																																																																																																																																																																																																																																																				
17.0	-2		0		2																																																																																																																																																																																																																																																																																																																																																																																																																																																				
16.5				0	2	3																																																																																																																																																																																																																																																																																																																																																																																																																																																			
16.0			0		2	3																																																																																																																																																																																																																																																																																																																																																																																																																																																			
15.5						3.5																																																																																																																																																																																																																																																																																																																																																																																																																																																			
15.0	0		2	3																																																																																																																																																																																																																																																																																																																																																																																																																																																					
14.5					3.5																																																																																																																																																																																																																																																																																																																																																																																																																																																				
14.0		2	3																																																																																																																																																																																																																																																																																																																																																																																																																																																						
13.5			3.5																																																																																																																																																																																																																																																																																																																																																																																																																																																						
13.0	2	3																																																																																																																																																																																																																																																																																																																																																																																																																																																							
12.5		3.5																																																																																																																																																																																																																																																																																																																																																																																																																																																							
12.0	3																																																																																																																																																																																																																																																																																																																																																																																																																																																								
11.5	3.5																																																																																																																																																																																																																																																																																																																																																																																																																																																								
Cup distance																																																																																																																																																																																																																																																																																																																																																																																																																																																									
9.5		3	4	5	6	7																																																																																																																																																																																																																																																																																																																																																																																																																																																			
14.5						-2																																																																																																																																																																																																																																																																																																																																																																																																																																																			
13.5					-2																																																																																																																																																																																																																																																																																																																																																																																																																																																				
12.5				-2		0																																																																																																																																																																																																																																																																																																																																																																																																																																																			
11.5			-2		0																																																																																																																																																																																																																																																																																																																																																																																																																																																				
10.5	-2		0		2																																																																																																																																																																																																																																																																																																																																																																																																																																																				
10.0				0	2	3																																																																																																																																																																																																																																																																																																																																																																																																																																																			
9.5		0		2	3																																																																																																																																																																																																																																																																																																																																																																																																																																																				
9.0					3.5																																																																																																																																																																																																																																																																																																																																																																																																																																																				
8.5	0		2	3																																																																																																																																																																																																																																																																																																																																																																																																																																																					
8.0					3.5																																																																																																																																																																																																																																																																																																																																																																																																																																																				
7.5		2	3																																																																																																																																																																																																																																																																																																																																																																																																																																																						
7.0			3.5																																																																																																																																																																																																																																																																																																																																																																																																																																																						
6.5	2	3																																																																																																																																																																																																																																																																																																																																																																																																																																																							
6.0		3.5																																																																																																																																																																																																																																																																																																																																																																																																																																																							
5.5	3																																																																																																																																																																																																																																																																																																																																																																																																																																																								
5.0	3.5																																																																																																																																																																																																																																																																																																																																																																																																																																																								
Cup distance																																																																																																																																																																																																																																																																																																																																																																																																																																																									
19		3	4	5	6	7																																																																																																																																																																																																																																																																																																																																																																																																																																																			
0.0			0		2	3																																																																																																																																																																																																																																																																																																																																																																																																																																																			
0.5						3.5																																																																																																																																																																																																																																																																																																																																																																																																																																																			
1.0	0			2	3																																																																																																																																																																																																																																																																																																																																																																																																																																																				
1.5					3.5																																																																																																																																																																																																																																																																																																																																																																																																																																																				
2.0			2	3																																																																																																																																																																																																																																																																																																																																																																																																																																																					
3.0	2	3																																																																																																																																																																																																																																																																																																																																																																																																																																																							
4.0	3																																																																																																																																																																																																																																																																																																																																																																																																																																																								

MINIMUM GAP

Door thickness	Cup distance					
	3	4	5	6	7	
24.0	1.0	1.0	1.0	1.2 ²	2.1 ²	
22.0	1.0	1.0	1.0	1.0	1.5 ²	
21.0	1.0	1.0	1.0	1.0	1.2 ²	
20.0	1.0	1.0	1.0	1.0	1.0	
19.0	1.0	1.0	1.0	1.0	1.0	
18.0	1.0	1.0	1.0	1.0	1.0	
17.0	1.0	1.0	1.0	1.0	1.0	
16.0	1.0	1.0	1.0	1.0	1.0	

Minimum gap

² 1.0 at 85° opening angle

MINIMUM REVEAL

Door thickness	Cup distance					
	3	4	5	6	7	
24.0	2.4	2.1	2.1	2.1	2.0	
22.0	1.6	1.6	1.6	1.5	1.5	
21.0	1.4	1.3	1.3	1.3	1.3	
20.0	1.1	1.1	1.1	1.1	1.1	
19.0	0.9	0.9	0.9	0.9	0.9	
18.0	0.7	0.7	0.7	0.7	0.7	
17.0	0.6	0.6	0.6	0.6	0.6	
16.0	0.6	0.6	0.6	0.6	0.6	

Minimum reveal (F)

85° OPENING ANGLE

Door thickness	Cup distance					
	3	4	5	6	7	
36.0	11.1	10.3	9.7	9.1	8.5	
30.0	5.4	4.8	4.4	4.3	4.2	
28.0	3.7	3.6	3.5	3.4	3.3	
26.0	2.9	2.8	2.8	2.7	2.6	
24.0	2.2	2.1	2.1	2.1	2.0	
22.0	1.6	1.6	1.6	1.5	1.5	
21.0	1.4	1.3	1.3	1.3	1.3	
20.0	1.1	1.1	1.1	1.1	1.1	
19.0	0.9	0.9	0.9	0.9	0.9	
18.0	0.7	0.7	0.7	0.7	0.7	
16.0	0.6	0.6	0.6	0.6	0.6	

Minimum reveal (F) ³ at 85°

³ 85° opening angle reduction clip

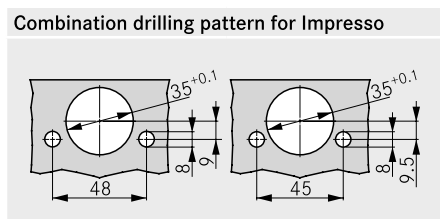
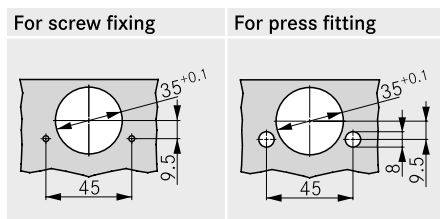
NOTES

The minimum gap is the clearance required between the front edge of the cabinet and the closed door so that the door can open without hindrance.

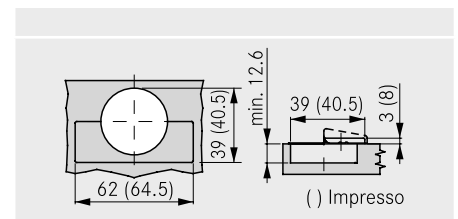
Minimum reveal for doors with bevelled edges (R = 1 mm) (factory setting).

For door thicknesses of 24 mm and above, a trial fitting is recommended.

DRILLING PATTERNS 45/9.5



CUP DIMENSIONS



TIOMOS панта клипс 120 градуса (до 24 мм дебелина на вратата)



- 120° opening angle
- Optimum reveals for door thicknesses up to 22 mm
- Convenient depth adjustment via worm gear
- 3-dimensional adjustment with appropriate mounting plate

Available in 3 versions:

- With integrated damper (3 adjustable damping levels)
- Without integrated damper
- Without self-closing mechanism (without spring)

ИНФОРМАЦИЯ ЗА ПОРЪЧКА ЗА РАЗПРОБИВАНЕ 45/9.5

Door overlay	Отстъп	Плавно			Без пружина	Код/цена		
		Със	Без			Клипс Монтаж с винтове	Цена	
Full overlay ¹	0	-	-	-	0033-F045 138 485 228	5,31лв		
		-	■	-				
Overlay ¹	3	-	-	-				
		-						
Half overlay ²	9.5	-	-	-				
		-						
Inset ²	19	-	-	-				
		-						

¹ Cup material: steel, nickel-plated / Arm material: steel, nickel-plated Cup material: steel, nickel-plated / Arm material: Zamak, nickel-plated

²

Основа /за повече видове виж накрая/

Изображение	Описание	Код	Цена
	Основа за панта Tiomos клипс, закрепване с винт за дърво $\phi 3.5 \times 15$ мм	0033-F058 139 721 228	0,47 лв

Капачки

Изображение	Описание	За застъп	Надпис	Код	Цена
	Капачка за тяло на панта Tiomos, стомана, никел, надпис GRASS	0/3/9.5/19	Лого GRASS	0033-F072 135 550 247	0,21 лв
	Капачка за чашка на панта Tiomos, стомана, никел, без надпис	0/3/9.5/19	-	0033-F072 1355 03 540	0,52 лв

Акcesoари

Изображение	Описание	Код/цена	Designation	Art.-no.
	Скоба за намаляване на ъгъла на отваряне на 85 гр.	0033-F072 135 751 540 0,90 лв	Countersunk wood screw $\phi 3.5 \times 15$ mm	
	Tirmatic Plus кръгъл, за отвор $\phi 10 \times 60$ мм	0033-F069 135 061 513 9,18 лв	Unclipping protector	

TIOMOS панта клипс 120/-30А градуса (покрит кант)



- For -30° angled cabinets
- 120° opening angle
- Convenient depth adjustment via worm gear
- 3-dimensional adjustment with appropriate mounting plate
- Minimum reveals

Available in 2 versions:

- With integrated damper (3 adjustable damping levels)
- Without integrated damper

ИНФОРМАЦИЯ ЗА ПОРЪЧКА ЗА РАЗПРОБИВАНЕ 45/9.5

Door overlay		Плавно			Код/цена		
		Със	Без	Без пружина	Клипс Монтаж с винтове	Цена	Impresso without tools ²
Overlay ¹		■	-	-	0033-F028 138 556 213	9.95лв	
		-		-			

¹ Cup material: steel, nickel-plated / Arm material: Zamak, nickel-plated

² Available on request

Основа /за повече видове виж накрая/

	Описание	Код	Цена
	Основа за панта Tiomos клипс, закрепване с винт за дърво ф3.5 x 15 мм	0033-F058 139 721 228	0,47 лв

Капачки

	Описание	За застъп	Надпис	Код	Цена
	Капачка за тяло на панта Tiomos, стомана, никел, надпис GRASS	0/3/9.5/19	Лого GRASS	0033-F072 135 550 247	0,21 лв
	Капачка за чашка на панта Tiomos, стомана, никел, без надпис	0/3/9.5/19	-	0033-F072 1355 03 540	0,52 лв

Акcesoари

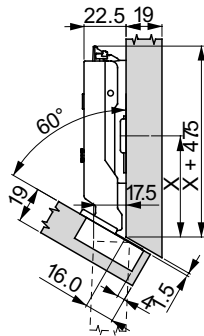
	Описание	Код/цена	Designation	Art.-no.
	Скоба за намаляване на ъгъла на отваряне на 85 гр.	0033-F072 135 751 540 0,90 лв		Countersunk wood screw Ø 3.5 x 15 mm
	Tirmatic Plus кръглъл, за отвор ф10x60 мм	0033-F069 135 061 513 9,18 лв		Unclipping protector

TIOMOS панта клипс 120/-30А градуса (покрит кант)

ИНФОРМАЦИЯ ЗА МОНТАЖ

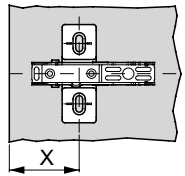
All dimensions in millimetres

overlay

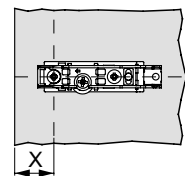


Mounting plate height 0

Door overlay	Cup distance				
	3	4	5	6	7
19.0					0
18.0				0	
17.0			0		
16.5					2
16.0		0			
15.5				2	
15.0	0				3
14.5			2		3.5
14.0				3	
13.5		2		3.5	
13.0			3		
12.5	2		3.5		
12.0		3			6
11.5		3.5			
11.0	3			6	
10.5	3.5				
10.0			6		
9.0		6			
8.0	6				
	Mounting plate height				



Cross mounting plates with fixing distance 37



Linear mounting plates

X	Mounting plate height				
	0	2	3	3.5	6
X	53.5	55	55.5	55.5	57
	Cross mounting plate position (X)				

X	Mounting plate height			
	0	2	3	3.5
X	36.5	38	38.5	38.5
	Linear mounting plate position (X)			

MINIMUM REVEAL

Door thickness	Cup distance				
	3	4	5	6	7
24.0	6.4	5.4	4.4	3.4	2.4
22.0	3.0	2.0	1.5	1.5	1.5
21.0	1.4	1.3	1.3	1.3	1.3
20.0	1.1	1.1	1.1	1.1	1.1
19.0	0.9	0.9	0.9	0.9	0.9
18.0	0.7	0.7	0.7	0.7	0.7
17.0	1.0	1.0	1.0	1.0	1.5
16.0	1.0	1.0	1.0	1.0	1.0
	Minimum reveal (F)				

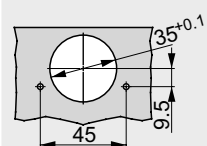
NOTES

Minimum reveal for doors with bevelled edges (R = 1 mm) (factory setting).

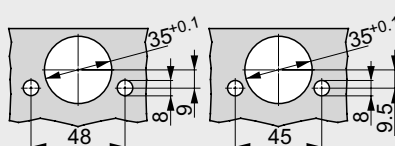
We recommend a trial fitting.

DRILLING PATTERNS 45/9.5

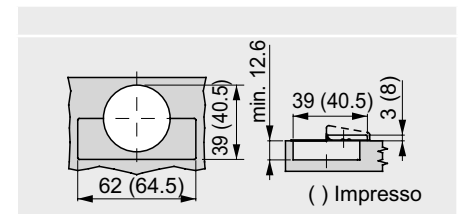
For screw fixing



Combination drilling pattern for Impresso



CUP DIMENSIONS



TIOMOS панта клипс 120/-45 градуса (покрит кант)



- Отваряне 120°
- Панта за монтаж на -45° шкаф
- Минимална фуга
- Реглаж в дълбочина
- Минимална фуга
- 3 Д реглаж с подходяща основа

Има ги в 2 варианта

- С вградено плавно (3 степенно регулиране на силата)
- Без плавно затваряне

ИНФОРМАЦИЯ ЗА ПОРЪЧКА ЗА РАЗПРОБИВАНЕ 45/9.5

Припокриване		Плавно		Без пружина	Код		
		Със	Без		Клипс Монтаж с винтове	Цена	Impresso without tools ²
Покрит кант, ¹ ниско рамо		■	-	-			
		-	■	-	0033-F045 138 495 213	7,99лв	

¹ Материал на чашката: стомана, никел/ материал на тялото: цам, никел

² Available on request

Основа /за повече видове виж накрая/

	Описание	Код	Цена
	Основа за панта Tiomos клипс, закрепване с винт за дърво ф3.5 x 15 мм	0033-F058 139 721 228	0,47 лв

Капачки

	Описание	За застъп	Надпис	Код	Цена
	Капачка за тяло на панта Tiomos, стомана, никел, надпис GRASS	0/3/9.5/19	Лого GRASS	0033-F072 135 550 247	0,21 лв
	Капачка за чашка на панта Tiomos, стомана, никел, без надпис	0/3/9.5/19	-	0033-F072 1355 03 540	0,52 лв

Акcesoари

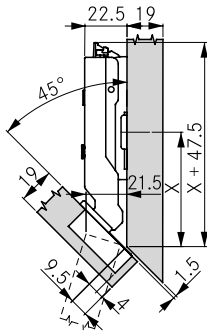
	Описание	Код/цена	Designation	Art.-no.
	Скоба за намаляване на ъгъла на отваряне на 85 гр.	0033-F072 135 751 540 0,90 лв		Countersunk wood screw Ø 3.5 x 15 mm
	Tirmatic Plus кръглъл, за отвор ф10x60 мм	0033-F069 135 061 513 9,18 лв		Unclipping protector

TIOMOS панта клипс 120/-45 градуса (покрит кант)

ИНФОРМАЦИЯ ЗА МОНТАЖ

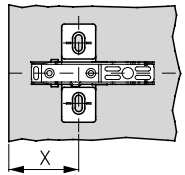
All dimensions in millimetres

overlay

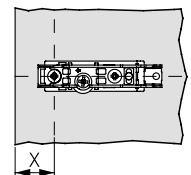


Mounting plate height 0

	Cup distance				
	3	4	5	6	7
12.0					0
11.5				0	
10.5			0		
9.5		0			2
8.5	0			2	
8.0					3
7.5			2		3.5
7.0				3	
6.5		2		3.5	
6.0			3		
5.5	2		3.5		
5.0		3			
4.5		3.5			
4.0	3				6
3.5	3.5				
3.0				6	
2.0			6		
1.0		6			
0.0	6				
Door overlay					
Mounting plate height					



Cross mounting plates with fixing distance 37



Linear mounting plates

	Mounting plate height				
	0	2	3	3.5	6
X	60.5	62.5	63.5	64	66.5
Cross mounting plate position (X)					

	Mounting plate height				
	0	2	3	3.5	
X	43.5	45.5	46.5	47	
Linear mounting plate position (X)					

MINIMUM REVEAL

	Cup distance				
	3	4	5	6	7
24.0	6.4	5.4	4.4	3.4	2.4
22.0	3.0	2.0	1.5	1.5	1.5
21.0	1.4	1.3	1.3	1.3	1.3
20.0	1.1	1.1	1.1	1.1	1.1
19.0	0.9	0.9	0.9	0.9	0.9
18.0	0.7	0.7	0.7	0.7	0.7
17.0	1.0	1.0	1.0	1.0	1.5
16.0	1.0	1.0	1.0	1.0	1.0
Door thickness					
Minimum reveal (F)					

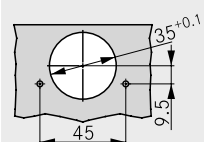
NOTES

Minimum reveal for doors with bevelled edges (R = 1 mm) (factory setting).

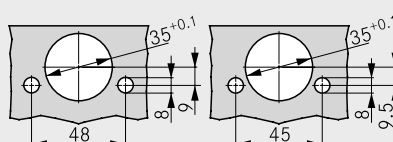
We recommend a trial fitting.

DRILLING PATTERNS 45/9.5

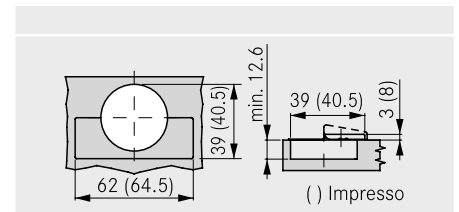
For screw fixing



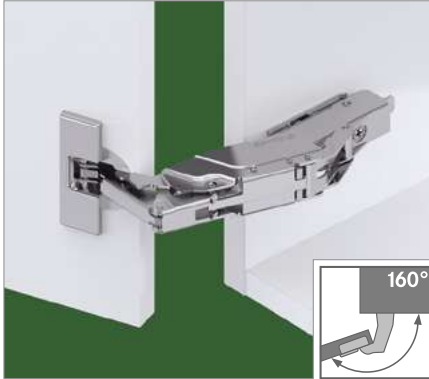
Combination drilling pattern for Impresso



CUP DIMENSIONS



TIOMOS панта клипс 160 градуса (до 32 мм дебелина на вратата)



- Отваряне 160°
- За вградени чекмеждета или за изтеглящи рафтове
- Оптимална за дебелини до 32 мм
- Реглаж в дълбочина
- Минимална фуга
- 3 Д реглаж с подходяща основа

Има ги в 3 варианта

- С вградено плавно (3 степенно регулиране на силата)
- Без плавно затваряне
- Без пружина

ИНФОРМАЦИЯ ЗА ПОРЪЧКА ЗА РАЗПРОБИВАНЕ 45/9.5

Припокриване	Изглед	Отстъп	Плавно		Без пружина	Код		
			Със	Без		Клипс Монтаж с винтове	Цена	Impresso без инструмент
Покрит кант, ¹ ниско рамо		0	■	-	-	0033-F028 138 561 217	10.61лв	
			-	■	-	0033-F045 138 499 217	8.46лв	
			-	■	■			
Полуокрит кант, ¹ средно рамо		3	■	-	-			
			-	■	-			
			-	■	■			
Открит кант, ¹ високо рамо		9.5	■	-	-			
			-	■	-			
			-	■	■			

¹ Материал на чашката: цам, никел/ материал на тялото: цам, никел

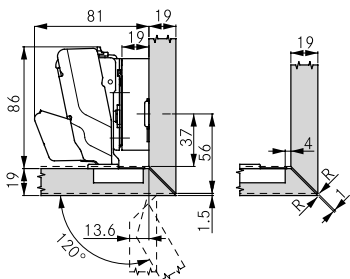
Основа /за повече видове виж накрая/

Изглед	Описание	Код	Цена
	Основа за панта Tiomos клипс, закрепване с винт за дърво ф3.5 x 15 мм	0033-F058 139 721 228	0.47 лв

Клипс за ограничаване на отварянето

Изглед	Описание	Код	Цена
	120° градусов клипс за ограничаване на отварянето Подходящ за всички Tiomos 160° панти. Предотвратява удрянето на вратата в корпуса или стената. Лесно поставяне без инструмент. Пластмаса, черно	0033-F072 135 753 228	1.15 лв

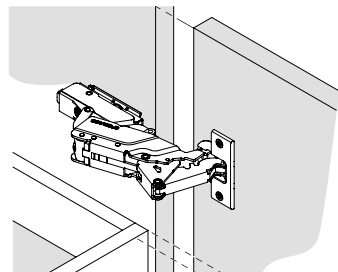
MITRED APPLICATION (ON ALL SIDES)



With 0 cranking, mounting plate height 19 mm and cup distance 4 mm, door and cabinet edges can meet at mitred angles on all 4 sides.

Use 120° opening angle reduction clip.

ZERO PROTRUSION



For cabinets with inset drawers.

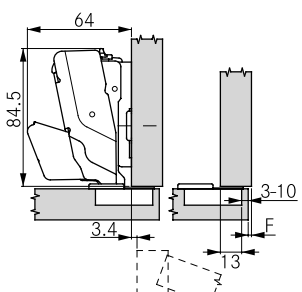
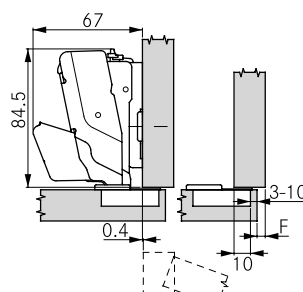
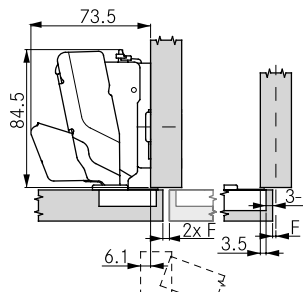
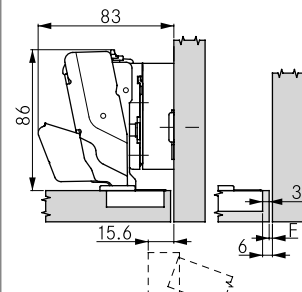
At 0 cranking, and with all mounting plate thicknesses, the door protrudes inwards at 90°. With cranking size 3 and mounting plate height 3 mm, the door will be flush with the cabinet.

Door thickness (TS)	Mitred application circumferential	Mitred application lateral
	R (min.)	R (min.)
19-20	1.0	0
22	2.0	0
24	3.0	1.0
26	4.2	2.5
28	5.4	3.8
30	6.5	5.3

ТИОМОС панта клипс 160 градуса (до 32 мм дебелина на вратата)

ИНФОРМАЦИЯ ЗА МОНТАЖ

All dimensions in millimetres

Full overlay K0	Overlay K3	Half overlay K9.5	Inset ¹ K0																																																																																																																																																																																																																																																																																																																																																																																																																																																																																																																																																																																																																																																																																																																																																																																																				
																																																																																																																																																																																																																																																																																																																																																																																																																																																																																																																																																																																																																																																																																																																																																																																																							
Mounting plate height 2	Mounting plate height 2	Mounting plate height 2	Cranking 0, mounting plate height 21 ¹ Set mounting plate back by door thickness +1.5 mm																																																																																																																																																																																																																																																																																																																																																																																																																																																																																																																																																																																																																																																																																																																																																																																																				
<table border="1"> <tr><th colspan="2">Cup distance</th><th colspan="8"></th></tr> <tr><th>0</th><th>Cup distance</th><th>3</th><th>4</th><th>5</th><th>6</th><th>7</th><th>8</th><th>9</th><th>10</th></tr> <tr><td>27.0</td><td></td><td></td><td></td><td></td><td></td><td></td><td></td><td></td><td>-2</td></tr> <tr><td>26.0</td><td></td><td></td><td></td><td></td><td></td><td></td><td></td><td>-2</td><td>-2</td></tr> <tr><td>25.0</td><td></td><td></td><td></td><td></td><td></td><td></td><td></td><td>-2</td><td>0</td></tr> <tr><td>24.0</td><td></td><td></td><td></td><td></td><td></td><td></td><td>-2</td><td>0</td><td></td></tr> <tr><td>23.0</td><td></td><td></td><td></td><td></td><td>-2</td><td>0</td><td></td><td>2</td><td></td></tr> <tr><td>22.0</td><td></td><td></td><td>-2</td><td>0</td><td></td><td>2</td><td>3</td><td></td><td></td></tr> <tr><td>21.0</td><td>-2</td><td></td><td>0</td><td></td><td>2</td><td>3</td><td></td><td></td><td></td></tr> <tr><td>20.0</td><td>-2</td><td></td><td>0</td><td></td><td>2</td><td>3</td><td></td><td></td><td></td></tr> <tr><td>19.0</td><td>0</td><td></td><td>2</td><td>3</td><td></td><td></td><td></td><td></td><td></td></tr> <tr><td>18.5</td><td></td><td></td><td></td><td>3.5</td><td></td><td></td><td></td><td></td><td></td></tr> <tr><td>18.0</td><td>0</td><td></td><td>2</td><td>3</td><td></td><td></td><td></td><td></td><td></td></tr> <tr><td>17.5</td><td></td><td></td><td></td><td>3.5</td><td></td><td></td><td></td><td></td><td></td></tr> <tr><td>17.0</td><td>2</td><td>3</td><td></td><td></td><td></td><td></td><td></td><td></td><td></td></tr> <tr><td>16.5</td><td></td><td></td><td>3.5</td><td></td><td></td><td></td><td></td><td></td><td></td></tr> <tr><td>16.0</td><td>2</td><td>3</td><td></td><td></td><td></td><td></td><td></td><td></td><td></td></tr> <tr><td>15.5</td><td></td><td></td><td>3.5</td><td></td><td></td><td></td><td></td><td></td><td></td></tr> <tr><td>15.0</td><td>3</td><td></td><td></td><td></td><td></td><td></td><td></td><td></td><td></td></tr> <tr><td>14.5</td><td></td><td></td><td>3.5</td><td></td><td></td><td></td><td></td><td></td><td></td></tr> </table>	Cup distance										0	Cup distance	3	4	5	6	7	8	9	10	27.0									-2	26.0								-2	-2	25.0								-2	0	24.0							-2	0		23.0					-2	0		2		22.0			-2	0		2	3			21.0	-2		0		2	3				20.0	-2		0		2	3				19.0	0		2	3						18.5				3.5						18.0	0		2	3						17.5				3.5						17.0	2	3								16.5			3.5							16.0	2	3								15.5			3.5							15.0	3									14.5			3.5							<table border="1"> <tr><th colspan="2">Cup distance</th><th colspan="8"></th></tr> <tr><th>3</th><th>Cup distance</th><th>3</th><th>4</th><th>5</th><th>6</th><th>7</th><th>8</th><th>9</th><th>10</th></tr> <tr><td>24.0</td><td></td><td></td><td></td><td></td><td></td><td></td><td></td><td></td><td>-2</td></tr> <tr><td>23.0</td><td></td><td></td><td></td><td></td><td></td><td></td><td></td><td></td><td>-2</td></tr> <tr><td>22.0</td><td></td><td></td><td></td><td></td><td></td><td></td><td></td><td></td><td>0</td></tr> <tr><td>21.0</td><td></td><td></td><td></td><td></td><td></td><td></td><td>-2</td><td>0</td><td></td></tr> <tr><td>20.0</td><td></td><td></td><td></td><td></td><td>-2</td><td>0</td><td></td><td>2</td><td>2</td></tr> <tr><td>19.0</td><td></td><td></td><td>-2</td><td>0</td><td></td><td>2</td><td>3</td><td></td><td></td></tr> <tr><td>18.0</td><td>-2</td><td></td><td>0</td><td></td><td>2</td><td>3</td><td></td><td></td><td></td></tr> <tr><td>17.0</td><td>-2</td><td></td><td>0</td><td></td><td>2</td><td>3</td><td></td><td></td><td></td></tr> <tr><td>16.5</td><td></td><td></td><td></td><td></td><td>3.5</td><td></td><td></td><td></td><td></td></tr> <tr><td>16.0</td><td>0</td><td></td><td>2</td><td>3</td><td></td><td></td><td></td><td></td><td></td></tr> <tr><td>15.5</td><td></td><td></td><td></td><td></td><td>3.5</td><td></td><td></td><td></td><td></td></tr> <tr><td>15.0</td><td>0</td><td></td><td>2</td><td>3</td><td></td><td></td><td></td><td></td><td></td></tr> <tr><td>14.5</td><td></td><td></td><td></td><td></td><td>3.5</td><td></td><td></td><td></td><td></td></tr> <tr><td>14.0</td><td>2</td><td>3</td><td></td><td></td><td></td><td></td><td></td><td></td><td></td></tr> <tr><td>13.5</td><td></td><td></td><td>3.5</td><td></td><td></td><td></td><td></td><td></td><td></td></tr> <tr><td>13.0</td><td>2</td><td>3</td><td></td><td></td><td></td><td></td><td></td><td></td><td></td></tr> <tr><td>12.5</td><td></td><td></td><td>3.5</td><td></td><td></td><td></td><td></td><td></td><td></td></tr> <tr><td>12.0</td><td>3</td><td></td><td></td><td></td><td></td><td></td><td></td><td></td><td></td></tr> <tr><td>11.5</td><td></td><td></td><td>3.5</td><td></td><td></td><td></td><td></td><td></td><td></td></tr> </table>	Cup distance										3	Cup distance	3	4	5	6	7	8	9	10	24.0									-2	23.0									-2	22.0									0	21.0							-2	0		20.0					-2	0		2	2	19.0			-2	0		2	3			18.0	-2		0		2	3				17.0	-2		0		2	3				16.5					3.5					16.0	0		2	3						15.5					3.5					15.0	0		2	3						14.5					3.5					14.0	2	3								13.5			3.5							13.0	2	3								12.5			3.5							12.0	3									11.5			3.5							<table border="1"> <tr><th colspan="2">Cup distance</th><th colspan="8"></th></tr> <tr><th>9.5</th><th>Cup distance</th><th>3</th><th>4</th><th>5</th><th>6</th><th>7</th><th>8</th><th>9</th><th>10</th></tr> <tr><td>17.5</td><td></td><td></td><td></td><td></td><td></td><td></td><td></td><td></td><td>-2</td></tr> <tr><td>16.5</td><td></td><td></td><td></td><td></td><td></td><td></td><td></td><td></td><td>-2</td></tr> <tr><td>15.5</td><td></td><td></td><td></td><td></td><td></td><td></td><td></td><td>-2</td><td>0</td></tr> <tr><td>14.5</td><td></td><td></td><td></td><td></td><td></td><td></td><td>-2</td><td>0</td><td></td></tr> <tr><td>13.5</td><td></td><td></td><td></td><td></td><td>-2</td><td>0</td><td></td><td>2</td><td>2</td></tr> <tr><td>12.5</td><td></td><td></td><td>-2</td><td>0</td><td></td><td>2</td><td>3</td><td></td><td></td></tr> <tr><td>11.5</td><td>-2</td><td></td><td>0</td><td></td><td>2</td><td>3</td><td></td><td></td><td></td></tr> <tr><td>10.5</td><td>-2</td><td></td><td>0</td><td></td><td>2</td><td>3</td><td></td><td></td><td></td></tr> <tr><td>10.0</td><td></td><td></td><td></td><td></td><td>3.5</td><td></td><td></td><td></td><td></td></tr> <tr><td>9.5</td><td>0</td><td></td><td>2</td><td>3</td><td></td><td></td><td></td><td></td><td></td></tr> <tr><td>9.0</td><td></td><td></td><td></td><td></td><td>3.5</td><td></td><td></td><td></td><td></td></tr> <tr><td>8.5</td><td>0</td><td></td><td>2</td><td>3</td><td></td><td></td><td></td><td></td><td></td></tr> <tr><td>8.0</td><td></td><td></td><td></td><td></td><td>3.5</td><td></td><td></td><td></td><td></td></tr> <tr><td>7.5</td><td>2</td><td>3</td><td></td><td></td><td></td><td></td><td></td><td></td><td></td></tr> <tr><td>7.0</td><td></td><td></td><td>3.5</td><td></td><td></td><td></td><td></td><td></td><td></td></tr> <tr><td>6.5</td><td>2</td><td>3</td><td></td><td></td><td></td><td></td><td></td><td></td><td></td></tr> <tr><td>6.0</td><td></td><td></td><td>3.5</td><td></td><td></td><td></td><td></td><td></td><td></td></tr> <tr><td>5.5</td><td>3</td><td></td><td></td><td></td><td></td><td></td><td></td><td></td><td></td></tr> <tr><td>5.0</td><td></td><td></td><td>3.5</td><td></td><td></td><td></td><td></td><td></td><td></td></tr> </table>	Cup distance										9.5	Cup distance	3	4	5	6	7	8	9	10	17.5									-2	16.5									-2	15.5								-2	0	14.5							-2	0		13.5					-2	0		2	2	12.5			-2	0		2	3			11.5	-2		0		2	3				10.5	-2		0		2	3				10.0					3.5					9.5	0		2	3						9.0					3.5					8.5	0		2	3						8.0					3.5					7.5	2	3								7.0			3.5							6.5	2	3								6.0			3.5							5.5	3									5.0			3.5							<table border="1"> <tr><th colspan="2">Cup distance</th><th colspan="6"></th></tr> <tr><th>0</th><th>Cup distance</th><th>3</th><th>4</th><th>5</th><th>6</th><th></th><th></th></tr> <tr><td>0.0</td><td></td><td></td><td>19</td><td>21</td><td></td><td></td><td></td></tr> <tr><td>0.5</td><td></td><td></td><td></td><td></td><td></td><td></td><td></td></tr> <tr><td>1.0</td><td>19</td><td></td><td>21</td><td></td><td></td><td></td><td></td></tr> <tr><td>1.5</td><td></td><td></td><td></td><td></td><td></td><td></td><td></td></tr> <tr><td>2.0</td><td></td><td></td><td>21</td><td></td><td></td><td></td><td></td></tr> <tr><td>3.0</td><td>21</td><td></td><td></td><td></td><td></td><td></td><td></td></tr> <tr><td>4.0</td><td></td><td></td><td></td><td></td><td></td><td></td><td></td></tr> <tr><td></td><td></td><td></td><td></td><td></td><td></td><td></td><td></td></tr> <tr><td></td><td></td><td></td><td></td><td></td><td></td><td></td><td></td></tr> <tr><td></td><td></td><td></td><td></td><td></td><td></td><td></td><td></td></tr> <tr><td></td><td></td><td></td><td></td><td></td><td></td><td></td><td></td></tr> <tr><td></td><td></td><td></td><td></td><td></td><td></td><td></td><td></td></tr> <tr><td></td><td></td><td></td><td></td><td></td><td></td><td></td><td></td></tr> <tr><td></td><td></td><td></td><td></td><td></td><td></td><td></td><td></td></tr> <tr><td></td><td></td><td></td><td></td><td></td><td></td><td></td><td></td></tr> <tr><td></td><td></td><td></td><td></td><td></td><td></td><td></td><td></td></tr> <tr><td></td><td></td><td></td><td></td><td></td><td></td><td></td><td></td></tr> </table>	Cup distance								0	Cup distance	3	4	5	6			0.0			19	21				0.5								1.0	19		21					1.5								2.0			21					3.0	21							4.0																																																																																							
Cup distance																																																																																																																																																																																																																																																																																																																																																																																																																																																																																																																																																																																																																																																																																																																																																																																																							
0	Cup distance	3	4	5	6	7	8	9	10																																																																																																																																																																																																																																																																																																																																																																																																																																																																																																																																																																																																																																																																																																																																																																																														
27.0									-2																																																																																																																																																																																																																																																																																																																																																																																																																																																																																																																																																																																																																																																																																																																																																																																														
26.0								-2	-2																																																																																																																																																																																																																																																																																																																																																																																																																																																																																																																																																																																																																																																																																																																																																																																														
25.0								-2	0																																																																																																																																																																																																																																																																																																																																																																																																																																																																																																																																																																																																																																																																																																																																																																																														
24.0							-2	0																																																																																																																																																																																																																																																																																																																																																																																																																																																																																																																																																																																																																																																																																																																																																																																															
23.0					-2	0		2																																																																																																																																																																																																																																																																																																																																																																																																																																																																																																																																																																																																																																																																																																																																																																																															
22.0			-2	0		2	3																																																																																																																																																																																																																																																																																																																																																																																																																																																																																																																																																																																																																																																																																																																																																																																																
21.0	-2		0		2	3																																																																																																																																																																																																																																																																																																																																																																																																																																																																																																																																																																																																																																																																																																																																																																																																	
20.0	-2		0		2	3																																																																																																																																																																																																																																																																																																																																																																																																																																																																																																																																																																																																																																																																																																																																																																																																	
19.0	0		2	3																																																																																																																																																																																																																																																																																																																																																																																																																																																																																																																																																																																																																																																																																																																																																																																																			
18.5				3.5																																																																																																																																																																																																																																																																																																																																																																																																																																																																																																																																																																																																																																																																																																																																																																																																			
18.0	0		2	3																																																																																																																																																																																																																																																																																																																																																																																																																																																																																																																																																																																																																																																																																																																																																																																																			
17.5				3.5																																																																																																																																																																																																																																																																																																																																																																																																																																																																																																																																																																																																																																																																																																																																																																																																			
17.0	2	3																																																																																																																																																																																																																																																																																																																																																																																																																																																																																																																																																																																																																																																																																																																																																																																																					
16.5			3.5																																																																																																																																																																																																																																																																																																																																																																																																																																																																																																																																																																																																																																																																																																																																																																																																				
16.0	2	3																																																																																																																																																																																																																																																																																																																																																																																																																																																																																																																																																																																																																																																																																																																																																																																																					
15.5			3.5																																																																																																																																																																																																																																																																																																																																																																																																																																																																																																																																																																																																																																																																																																																																																																																																				
15.0	3																																																																																																																																																																																																																																																																																																																																																																																																																																																																																																																																																																																																																																																																																																																																																																																																						
14.5			3.5																																																																																																																																																																																																																																																																																																																																																																																																																																																																																																																																																																																																																																																																																																																																																																																																				
Cup distance																																																																																																																																																																																																																																																																																																																																																																																																																																																																																																																																																																																																																																																																																																																																																																																																							
3	Cup distance	3	4	5	6	7	8	9	10																																																																																																																																																																																																																																																																																																																																																																																																																																																																																																																																																																																																																																																																																																																																																																																														
24.0									-2																																																																																																																																																																																																																																																																																																																																																																																																																																																																																																																																																																																																																																																																																																																																																																																														
23.0									-2																																																																																																																																																																																																																																																																																																																																																																																																																																																																																																																																																																																																																																																																																																																																																																																														
22.0									0																																																																																																																																																																																																																																																																																																																																																																																																																																																																																																																																																																																																																																																																																																																																																																																														
21.0							-2	0																																																																																																																																																																																																																																																																																																																																																																																																																																																																																																																																																																																																																																																																																																																																																																																															
20.0					-2	0		2	2																																																																																																																																																																																																																																																																																																																																																																																																																																																																																																																																																																																																																																																																																																																																																																																														
19.0			-2	0		2	3																																																																																																																																																																																																																																																																																																																																																																																																																																																																																																																																																																																																																																																																																																																																																																																																
18.0	-2		0		2	3																																																																																																																																																																																																																																																																																																																																																																																																																																																																																																																																																																																																																																																																																																																																																																																																	
17.0	-2		0		2	3																																																																																																																																																																																																																																																																																																																																																																																																																																																																																																																																																																																																																																																																																																																																																																																																	
16.5					3.5																																																																																																																																																																																																																																																																																																																																																																																																																																																																																																																																																																																																																																																																																																																																																																																																		
16.0	0		2	3																																																																																																																																																																																																																																																																																																																																																																																																																																																																																																																																																																																																																																																																																																																																																																																																			
15.5					3.5																																																																																																																																																																																																																																																																																																																																																																																																																																																																																																																																																																																																																																																																																																																																																																																																		
15.0	0		2	3																																																																																																																																																																																																																																																																																																																																																																																																																																																																																																																																																																																																																																																																																																																																																																																																			
14.5					3.5																																																																																																																																																																																																																																																																																																																																																																																																																																																																																																																																																																																																																																																																																																																																																																																																		
14.0	2	3																																																																																																																																																																																																																																																																																																																																																																																																																																																																																																																																																																																																																																																																																																																																																																																																					
13.5			3.5																																																																																																																																																																																																																																																																																																																																																																																																																																																																																																																																																																																																																																																																																																																																																																																																				
13.0	2	3																																																																																																																																																																																																																																																																																																																																																																																																																																																																																																																																																																																																																																																																																																																																																																																																					
12.5			3.5																																																																																																																																																																																																																																																																																																																																																																																																																																																																																																																																																																																																																																																																																																																																																																																																				
12.0	3																																																																																																																																																																																																																																																																																																																																																																																																																																																																																																																																																																																																																																																																																																																																																																																																						
11.5			3.5																																																																																																																																																																																																																																																																																																																																																																																																																																																																																																																																																																																																																																																																																																																																																																																																				
Cup distance																																																																																																																																																																																																																																																																																																																																																																																																																																																																																																																																																																																																																																																																																																																																																																																																							
9.5	Cup distance	3	4	5	6	7	8	9	10																																																																																																																																																																																																																																																																																																																																																																																																																																																																																																																																																																																																																																																																																																																																																																																														
17.5									-2																																																																																																																																																																																																																																																																																																																																																																																																																																																																																																																																																																																																																																																																																																																																																																																														
16.5									-2																																																																																																																																																																																																																																																																																																																																																																																																																																																																																																																																																																																																																																																																																																																																																																																														
15.5								-2	0																																																																																																																																																																																																																																																																																																																																																																																																																																																																																																																																																																																																																																																																																																																																																																																														
14.5							-2	0																																																																																																																																																																																																																																																																																																																																																																																																																																																																																																																																																																																																																																																																																																																																																																																															
13.5					-2	0		2	2																																																																																																																																																																																																																																																																																																																																																																																																																																																																																																																																																																																																																																																																																																																																																																																														
12.5			-2	0		2	3																																																																																																																																																																																																																																																																																																																																																																																																																																																																																																																																																																																																																																																																																																																																																																																																
11.5	-2		0		2	3																																																																																																																																																																																																																																																																																																																																																																																																																																																																																																																																																																																																																																																																																																																																																																																																	
10.5	-2		0		2	3																																																																																																																																																																																																																																																																																																																																																																																																																																																																																																																																																																																																																																																																																																																																																																																																	
10.0					3.5																																																																																																																																																																																																																																																																																																																																																																																																																																																																																																																																																																																																																																																																																																																																																																																																		
9.5	0		2	3																																																																																																																																																																																																																																																																																																																																																																																																																																																																																																																																																																																																																																																																																																																																																																																																			
9.0					3.5																																																																																																																																																																																																																																																																																																																																																																																																																																																																																																																																																																																																																																																																																																																																																																																																		
8.5	0		2	3																																																																																																																																																																																																																																																																																																																																																																																																																																																																																																																																																																																																																																																																																																																																																																																																			
8.0					3.5																																																																																																																																																																																																																																																																																																																																																																																																																																																																																																																																																																																																																																																																																																																																																																																																		
7.5	2	3																																																																																																																																																																																																																																																																																																																																																																																																																																																																																																																																																																																																																																																																																																																																																																																																					
7.0			3.5																																																																																																																																																																																																																																																																																																																																																																																																																																																																																																																																																																																																																																																																																																																																																																																																				
6.5	2	3																																																																																																																																																																																																																																																																																																																																																																																																																																																																																																																																																																																																																																																																																																																																																																																																					
6.0			3.5																																																																																																																																																																																																																																																																																																																																																																																																																																																																																																																																																																																																																																																																																																																																																																																																				
5.5	3																																																																																																																																																																																																																																																																																																																																																																																																																																																																																																																																																																																																																																																																																																																																																																																																						
5.0			3.5																																																																																																																																																																																																																																																																																																																																																																																																																																																																																																																																																																																																																																																																																																																																																																																																				
Cup distance																																																																																																																																																																																																																																																																																																																																																																																																																																																																																																																																																																																																																																																																																																																																																																																																							
0	Cup distance	3	4	5	6																																																																																																																																																																																																																																																																																																																																																																																																																																																																																																																																																																																																																																																																																																																																																																																																		
0.0			19	21																																																																																																																																																																																																																																																																																																																																																																																																																																																																																																																																																																																																																																																																																																																																																																																																			
0.5																																																																																																																																																																																																																																																																																																																																																																																																																																																																																																																																																																																																																																																																																																																																																																																																							
1.0	19		21																																																																																																																																																																																																																																																																																																																																																																																																																																																																																																																																																																																																																																																																																																																																																																																																				
1.5																																																																																																																																																																																																																																																																																																																																																																																																																																																																																																																																																																																																																																																																																																																																																																																																							
2.0			21																																																																																																																																																																																																																																																																																																																																																																																																																																																																																																																																																																																																																																																																																																																																																																																																				
3.0	21																																																																																																																																																																																																																																																																																																																																																																																																																																																																																																																																																																																																																																																																																																																																																																																																						
4.0																																																																																																																																																																																																																																																																																																																																																																																																																																																																																																																																																																																																																																																																																																																																																																																																							
Door overlay	Door overlay	Door overlay	Door reveal																																																																																																																																																																																																																																																																																																																																																																																																																																																																																																																																																																																																																																																																																																																																																																																																				
Mounting plate height	Mounting plate height	Mounting plate height	Mounting plate height																																																																																																																																																																																																																																																																																																																																																																																																																																																																																																																																																																																																																																																																																																																																																																																																				

MINIMUM GAP

Cup distance									
Door thickness	Cup distance	3	4	5	6	7	8	9	10
32.0		1.0	1.0						
31.0		1.0	1.0	1.0					
30.0		1.0	1.0	1.0					
29.0	1.0	1.0	1.0	1.0	1.0	1.0	1.0	1.0	1.0
28.0	1.0	1.0	1.0	1.0	1.0	1.0	1.0	1.0	1.0
26.0	1.0	1.0	1.0	1.0	1.0	1.0	1.0	1.0	1.0
25.0	1.0	1.0	1.0	1.0	1.0	1.0	1.0	1.0	1.0
24.0	1.0	1.0	1.0	1.0	1.0	1.0	1.0	1.0	1.0
22.0	1.0	1.0	1.0	1.0	1.0	1.0	1.0	1.0	1.0
21.0	1.0	1.0	1.0	1.0	1.0	1.0	1.0	1.0	1.0
20.0	1.0	1.0	1.0	1.0	1.0	1.0	1.0	1.0	1.0
18.0	1.0	1.0	1.0	1.0	1.0	1.0	1.0	1.0	1.0
16.0	1.0	1.0	1.0	1.0	1.0	1.0	1.0	1.0	1.0

MINIMUM REVEAL

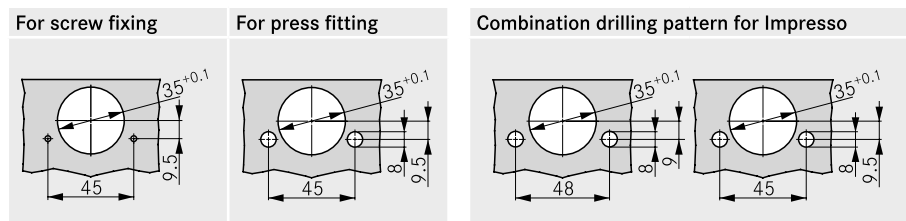
Cup distance									
Door thickness	Cup distance	3	4	5	6	7	8	9	10
32.0		0.2	0.2						
31.0		0.2	0.2	0.2	0.2				
30.0		0.2	0.2	0.2	0.2	0.2			
29.0	0.2	0.2	0.2	0.2	0.2	0.2	0.2	0.2	0.2
28.0	0.0	0.0	0.0	0.0	0.0	0.0	0.0	0.0	0.0
26.0	0.0	0.0	0.0	0.0	0.0	0.0	0.0	0.0	0.0
25.0	0.0	0.0	0.0	0.0	0.0	0.0	0.0	0.0	0.0
24.0	0.0	0.0	0.0	0.0	0.0	0.0	0.0	0.0	0.0
22.0	0.0	0.0	0.0	0.0	0.0	0.0	0.0	0.0	0.0
21.0	0.0	0.0	0.0	0.0	0.0	0.0	0.0	0.0	0.0
20.0	0.0	0.0	0.0	0.0	0.0	0.0	0.0	0.0	0.0
18.0	0.0	0.0	0.0	0.0	0.0	0.0	0.0	0.0	0.0
16.0	0.0	0.0	0.0	0.0	0.0	0.0	0.0	0.0	0.0

NOTES

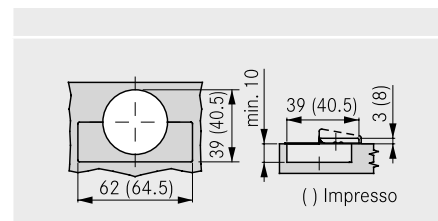
The minimum gap is the clearance required between the front edge of the cabinet and the closed door so that the door can open without hindrance.
Minimum reveal for doors with bevelled edges (R = 1 mm) (factory setting).
No reveal is required for door thicknesses up to 28 mm.
From 29 mm door thickness, we recommend a trial fitting.

■ only possible with 120° angle red. clip

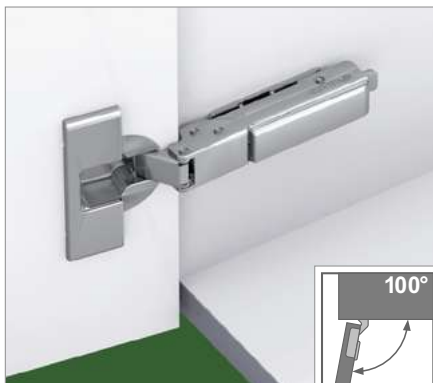
DRILLING PATTERNS 45/9.5



CUP DIMENSIONS



TIOMOS панта клипс 100 градуса /за хладилник/



- Hinge for refrigerator doors (sliding system)
- 100° opening angle
- Flat hinge arm
- With self-closing mechanism (with spring)
- 3-dimensional adjustment with appropriate mounting plate

Available in 1 version:

- Without integrated damper

ИНФОРМАЦИЯ ЗА ПОРЪЧКА ЗА РАЗПРОБИВАНЕ 45/9.5

Door overlay	Отстъп	Плавно		Без пружина	Код			
		Със	Без		Клипс Монтаж с винтове	Цена		
Overlay ¹		3	-	■	-	0033-F045 139 071 213	6.21лв	

¹ Cup material: steel, nickel-plated / Arm material: Zamak, nickel-plated

Основа /за повече видове виж накрая/

	Описание	Код	Цена
	Основа за панта Tiomos клипс, закрепване с винт за дърво ф3.5 x 15 мм	0033-F058 139 721 228	0.47 лв

Капачки

	Описание	За застъп	Надпис	Код	Цена
	Капачка за тяло на панта Tiomos, стомана, никел, надпис GRASS	0/3/9.5/19	Лого GRASS	0033-F072 135 550 247	0.21 лв
	Капачка за чашка на панта Tiomos, стомана, никел, без надпис	0/3/9.5/19	-	0033-F072 1355 03 540	0.52 лв

Акcesoари

	Описание	Код/цена	Designation	Art.-no.
	Скоба за намаляване на ъгъла на отваряне на 85 гр.	0033-F072 135 751 540 0.90 лв		Countersunk wood screw Ø 3.5 x 15 mm
	Tirmatic Plus кръглъл, за отвор ф10x60 мм	0033-F069 135 061 513 9.18 лв		Unclipping protector

ТИОМОС панта клипс 100 градуса /за хладилник/

ИНФОРМАЦИЯ ЗА МОНТАЖ

All dimensions in millimetres

overlay

Mounting plate height 0

Mounting plate height 3

	Cup distance					
	3	4	5	6	7	
21.0					-2	
20.0				-2		
19.0			-2			
18.0		-2		0		
17.0			0			
16.5	-2					
16.0		0		2	3	
15.5					3.5	
15.0	0		2	3		
14.5				3.5		
14.0		2	3			
13.5			3.5			
13.0	2	3				
12.5		3.5				
12.0	3					
11.5	3.5					
	Mounting plate height					

MINIMUM GAP

	Cup distance					
	3	4	5	6	7	
26.0	1.0	1.0	1.0	1.2	2.2	
24.0	1.0	1.0	1.0	1.0	1.8	
22.0	1.0	1.0	1.0	1.0	1.1	
20.0	1.0	1.0	1.0	1.0	1.0	
18.0	1.0	1.0	1.0	1.0	1.0	
16.0	1.0	1.0	1.0	1.0	1.0	
	Minimum gap					

MINIMUM REVEAL

	Cup distance					
	3	4	5	6	7	
26.0	7.2	6.2	5.2	4.2	3.5	
24.0	4.8	3.8	2.8	2.3	2.2	
22.0	1.9	1.6	1.5	1.4	1.3	
20.0	0.9	0.9	0.9	0.8	0.8	
18.0	0.4	0.4	0.4	0.5	0.5	
16.0	0.3	0.3	0.3	0.3	0.3	
	Minimum reveal (F)					

NOTES

The minimum gap is the clearance required between the front edge of the cabinet and the closed door so that the door can open without hindrance.

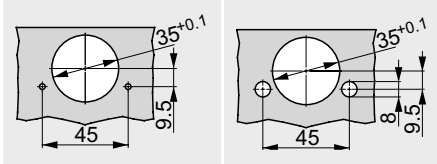
Minimum reveal for doors with bevelled edges (R = 1 mm) (factory setting).

Hinge dimensions and reveal calculation with factory setting.

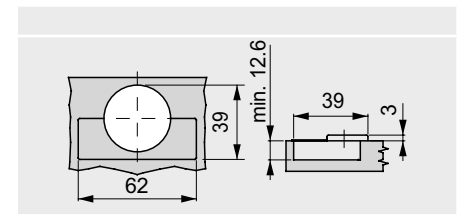
For door thicknesses of 24 mm and above, a trial fitting is recommended.

DRILLING PATTERNS 45/9.5

For screw fixing



CUP DIMENSIONS



TIOMOS панта клипс 110/+90 градуса (в една равнина)



- Отваряне 110°
- Панта за монтаж в една равнина
- Минимална фуга
- Реглаж в дълбочина
- Минимална фуга
- 3 Д реглаж с подходяща основа

Има ги в 3 варианта

- С вградено плавно (3 степенно регулиране на силата)
- Без плавно затваряне
- Без пружина

ИНФОРМАЦИЯ ЗА ПОРЪЧКА ЗА РАЗПРОБИВАНЕ 45/9.5

Припокриване		Плавно		Без пружина	Код		
		Със	Без		Клипс Монтаж с винтове	Цена	Impresso without tools
Покрит кант, ¹ ниско рамо		■	-	-	0033-F028 138 536 223	9.59лв	
		-	■	-	0033-F045 138 474 213	7.68лв	
		-	■	■		-	-

¹ Материал на чашката: стомана, никел/ материал на тялото: цам, никел

Основа /за повече видове виж накрая/

	Описание	Код	Цена
	Основа за панта Tiomos клипс, закрепване с винт за дърво ф3.5 x 15 мм	0033-F058 139 721 228	0.47 лв

Капачки

	Описание	За застъп	Надпис	Код	Цена
	Капачка за тяло на панта Tiomos, стомана, никел, надпис GRASS	0/3/9.5/19	Лого GRASS	0033-F072 135 550 247	0.21 лв
	Капачка за чашка на панта Tiomos, стомана, никел, без надпис	0/3/9.5/19	-	0033-F072 1355 03 540	0.52 лв

Акcesoари

	Описание	Код/цена	Designation	Art.-no.
	Скоба за намаляване на ъгъла на отваряне на 85 гр.	0033-F072 135 751 540 0.90 лв		Countersunk wood screw Ø 3.5 x 15 mm
	Tirmatic Plus кръгъл, за отвор ф10x60 мм	0033-F069 135 061 513 9.18 лв		Unclipping protector

TIOMOS панта клипс 110/+90 градуса (в една равнина)

ИНФОРМАЦИЯ ЗА МОНТАЖ

All dimensions in millimetres

Inset

Cross mounting plates with fixing distance 37

Linear mounting plates

Drilling distance (X)	Cup distance				
	4	5	6	7	
28.0	1	0			
27.0	2	1	0		
26.0	3	2	1	0	
	Door reveal				

Mounting plate height 3

Drilling distance (X)	Cup distance				
	4	5	6	7	
11.0	1	0			
10.0	2	1	0		
9.0	3	2	1	0	
	Door reveal				

MINIMUM REVEAL

Door thickness	Cup distance					
	3	4	5	6	7	
24.0	2.4	2.1	2.1	2.1	2.0	
22.0	1.6	1.6	1.6	1.5	1.5	
21.0	1.4	1.3	1.3	1.3	1.3	
20.0	1.1	1.1	1.1	1.1	1.1	
19.0	0.9	0.9	0.9	0.9	0.9	
18.0	0.7	0.7	0.7	0.7	0.7	
17.0	0.6	0.6	0.6	0.6	0.6	
16.0	0.6	0.6	0.6	0.6	0.6	
	Minimum reveal (F)					

NOTES

Minimum reveal for doors with bevelled edges (R = 1 mm) (factory setting).

Use standard mounting plate height 3 to ensure that door is flush fitting.

DRILLING PATTERNS 45/9.5

For screw fixing

For press fitting

Combination drilling pattern for Impresso

CUP DIMENSIONS

() Impresso

TIOMOS панта клипс 110/+30 градуса (покрит кант)



- Отваряне 110°
- Панта за монтаж на 30° шкаф
- Минимална фуга
- Реглаж в дълбочина
- Минимална фуга
- 3 Д реглаж с подходяща основа

Има ги в 3 варианта

- С вградено плавно (3 степенно регулиране на силата)
- Без плавно затваряне
- Без пружина

ИНФОРМАЦИЯ ЗА ПОРЪЧКА ЗА РАЗПРОБИВАНЕ 45/9.5

Припокриване		Плавно		Без пружина	Код		
		Със	Без		Клипс Монтаж с винтове	Цена	Impresso without tools
Покрит кант, ¹ ниско рамо		■	-	-	0033-F028 138 529 213	9,23лв	
		-	■	-	0033-F045 138 467 213	7,28лв	
		-	■	■			-

¹ Материал на чашката: стомана, никел/ материал на тялото: цам, никел

Основа /за повече видове виж накрая/

	Описание	Код	Цена
	Основа за панта Tiomos клипс, закрепване с винт за дърво ф3.5 x 15 мм	0033-F058 139 721 228	0,47 лв

Капачки

	Описание	За застъп	Надпис	Код	Цена
	Капачка за тяло на панта Tiomos, стомана, никел, надпис GRASS	0/3/9.5/19	Лого GRASS	0033-F072 135 550 247	0,21 лв
	Капачка за чашка на панта Tiomos, стомана, никел, без надпис	0/3/9.5/19	-	0033-F072 1355 03 540	0,52 лв

Акcesoари

	Описание	Код/цена	Designation	Art.-no.
	Скоба за намаляване на ъгъла на отваряне на 85 гр.	0033-F072 135 751 540 0,90 лв		Countersunk wood screw Ø 3.5 x 15 mm
	Tirmatic Plus кръгъл, за отвор ф10x60 мм	0033-F069 135 061 513 9,18 лв		Unclipping protector

TIOMOS панта клипс 110/+30 градуса (покрит кант)

ИНФОРМАЦИЯ ЗА МОНТАЖ

All dimensions in millimetres

overlay

Mounting plate height 0 Mounting plate height 6 Mounting plate height 9

Door overlay	Cup distance					
	3	4	5	6	7	
20.5					0	
19.5				0		
18.5			0		2	
17.5		0		2	3	
16.5	0				3.5	
16.0			2	3		
15.5				3.5		
15.0		2	3			
14.5			3.5			
14.0	2	3				
13.5		3.5				
13.0	3					
12.5	3.5			6		
11.5			6			
10.5		6				

Mounting plate height

Cross mounting plates with fixing distance 37

X	Mounting plate height				
	0	2	3	3.5	6
X	34.0	33.0	32.0	32.0	30.5

Cross mounting plate position (X)

Linear mounting plates

X	Mounting plate height			
	0	2	3	3.5
X	17.0	16.0	15.0	15.0

Linear mounting plate position (X)

MINIMUM GAP

Door thickness	Cup distance				
	3	4	5	6	7
24.0	1.0	1.0	1.0	1.2	2.1
22.0	1.0	1.0	1.0	1.0	1.5
21.0	1.0	1.0	1.0	1.0	1.2
20.0	1.0	1.0	1.0	1.0	1.0
19.0	1.0	1.0	1.0	1.0	1.0
18.0	1.0	1.0	1.0	1.0	1.0
17.0	1.0	1.0	1.0	1.0	1.0
16.0	1.0	1.0	1.0	1.0	1.0

Minimum gap

MINIMUM REVEAL

Door thickness	Cup distance				
	3	4	5	6	7
24.0	2.4	2.1	2.1	2.1	2.0
22.0	1.6	1.6	1.6	1.5	1.5
21.0	1.4	1.3	1.3	1.3	1.3
20.0	1.1	1.1	1.1	1.1	1.1
19.0	0.9	0.9	0.9	0.9	0.9
18.0	0.7	0.7	0.7	0.7	0.7
17.0	0.6	0.6	0.6	0.6	0.6
16.0	0.6	0.6	0.6	0.6	0.6

Minimum reveal (F)

NOTES

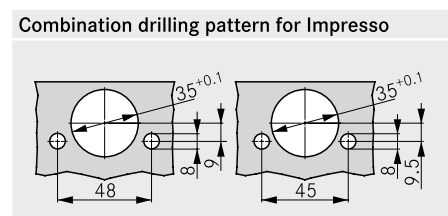
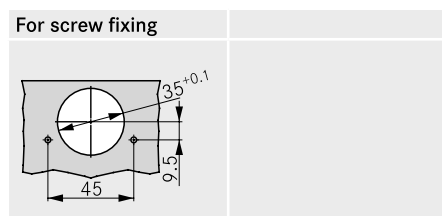
The minimum gap is the clearance required between the front edge of the cabinet and the closed door so that the door can open without hindrance.

Minimum reveal for doors with bevelled edges (R = 1 mm) (factory setting).

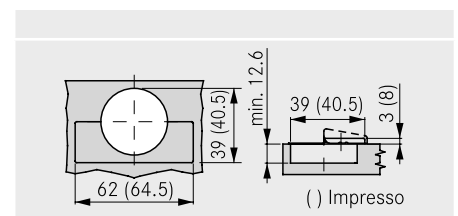
Hinge dimensions and reveal calculation with factory setting.

For door thicknesses of 24 mm and above, a trial fitting is recommended.

DRILLING PATTERNS 45/9.5



CUP DIMENSIONS



TIOMOS панта клипс 110/+45 градуса (покрит кант)



- Отваряне 110°
- Панта за монтаж на 45° шкаф
- Минимална фуга
- Реглаж в дълбочина
- Минимална фуга
- 3 Д реглаж с подходяща основа

Има ги в 3 варианта

- С вградено плавно (3 степенно регулиране на силата)
- Без плавно затваряне
- Без пружина

ИНФОРМАЦИЯ ЗА ПОРЪЧКА ЗА РАЗПРОБИВАНЕ 45/9.5

Припокриване		Плавно		Без пружина	Код		
		Със	Без		Клипс Монтаж с винтове	Цена	Impresso without tools
Покрит кант, ¹ ниско рамо		■	-	-	0033-F028 138 533 223	9,19лв	
		-	■	-	0033-F045 138 471 213	7,29лв	
		-	■	■			-

¹ Материал на чашката: стомана, никел/ материал на тялото: цам, никел

Основа /за повече видове виж накрая/

	Описание	Код	Цена
	Основа за панта Tiomos клипс, закрепване с винт за дърво ф3.5 x 15 мм	0033-F058 139 721 228	0,47 лв

Капачки

	Описание	За застъп	Надпис	Код	Цена
	Капачка за тяло на панта Tiomos, стомана, никел, надпис GRASS	0/3/9.5/19	Лого GRASS	0033-F072 135 550 247	0,21 лв
	Капачка за чашка на панта Tiomos, стомана, никел, без надпис	0/3/9.5/19	-	0033-F072 1355 03 540	0,52 лв

Акcesoари

	Описание	Код/цена	Designation	Art.-no.
	Скоба за намаляване на ъгъла на отваряне на 85 гр.	0033-F072 135 751 540 0,90 лв		
	Tirmatic Plus кръгъл, за отвор ф10x60 мм	0033-F069 135 061 513 9,18 лв		
			Countersunk wood screw Ø 3.5 x 15 mm	
			Unclipping protector	

ТИОМОС панта клипс 110/+45 градуса (покрит кант)

ИНФОРМАЦИЯ ЗА МОНТАЖ

All dimensions in millimetres

overlay

Mounting plate height 0 Mounting plate height 8 Mounting plate height 12

Door overlay	Cup distance					
	3	4	5	6	7	
19.5					0	
19.0						
18.5				0		
18.0						
17.5			0			
17.0						
16.5		0			2	
16.0						
15.5	0			2		
15.0					3	
14.5			2		3.5	
14.0				3		
13.5		2		3.5		
13.0			3			
12.5	2		3.5			
12.0		3				
11.0	3				6	
10.0				6		

Mounting plate height

Cross mounting plates with fixing distance 37 Linear mounting plates

X	Mounting plate height				
	0	2	3	3.5	6
X	30.5	28.5	27.5	27.0	24.5

Cross mounting plate position (X)

X	Mounting plate height			
	0	2	3	3.5
X	13.5	11.5	10.5	10.0

Linear mounting plate position (X)

MINIMUM GAP

Door thickness	Cup distance				
	3	4	5	6	7
24.0	1.0	1.0	1.0	1.2	2.1
22.0	1.0	1.0	1.0	1.0	1.5
21.0	1.0	1.0	1.0	1.0	1.2
20.0	1.0	1.0	1.0	1.0	1.0
19.0	1.0	1.0	1.0	1.0	1.0
18.0	1.0	1.0	1.0	1.0	1.0
17.0	1.0	1.0	1.0	1.0	1.0
16.0	1.0	1.0	1.0	1.0	1.0

Minimum gap

MINIMUM REVEAL

Door thickness	Cup distance				
	3	4	5	6	7
24.0	2.4	2.1	2.1	2.1	2.0
22.0	1.6	1.6	1.6	1.5	1.5
21.0	1.4	1.3	1.3	1.3	1.3
20.0	1.1	1.1	1.1	1.1	1.1
19.0	0.9	0.9	0.9	0.9	0.9
18.0	0.7	0.7	0.7	0.7	0.7
17.0	0.6	0.6	0.6	0.6	0.6
16.0	0.6	0.6	0.6	0.6	0.6

Minimum reveal (F)

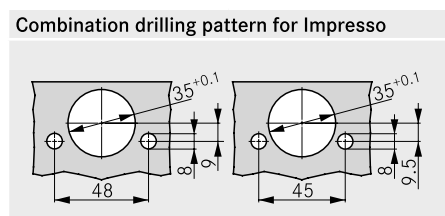
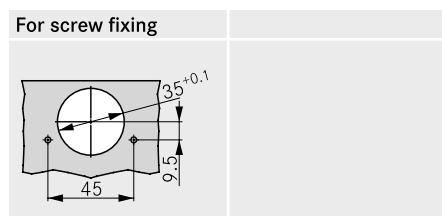
NOTES

The minimum gap is the clearance required between the front edge of the cabinet and the closed door so that the door can open without hindrance.

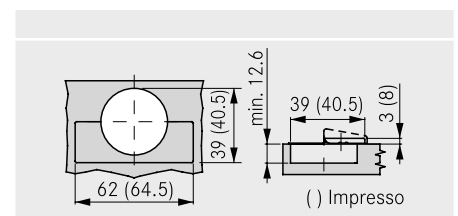
Minimum reveal for doors with bevelled edges (R = 1 mm) (factory setting).

For door thicknesses of 24 mm and above, a trial fitting is recommended.

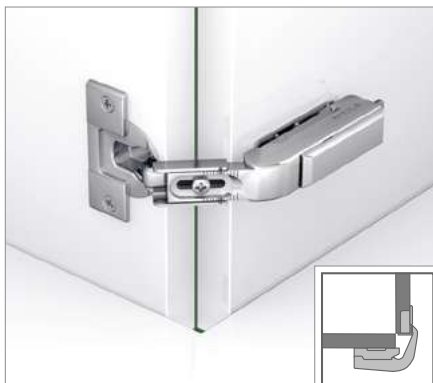
DRILLING PATTERNS 45/9.5



CUP DIMENSIONS



TIOMOS панта РСС ъглова (за монтаж на ъгъл)



- For connecting two corner cabinet doors **Available in 1 version:**
- For door thicknesses up to max. 24 mm • Without integrated damper (factory setting for 19 mm door thickness for a cup distance of 3.5 mm)
- 35 mm full cup drill hole
- Shallow cup depth of 11.8 mm
- 3-dimensional adjustment with appropriate mounting plate
- Without integrated damper

F045138517

ИНФОРМАЦИЯ ЗА ПОРЪЧКА ЗА РАЗПРОБИВАНЕ 45/9.5

Door overlay		Плавно		Без пружина	Код		
		Със	Без		Клипс Монтаж с винтове	Цена	
1		-	■	-	0033-F045 138 517 228	9,54лв	

1 Cup material: steel, nickel-plated / Arm material: Zamak, nickel-plated

Основа /за повече видове виж накрая/

	Описание	Код	Цена
	Основа за панта Tiomos клипс, закрепване с винт за дърво ф3.5 x 15 мм	0033-F058 139 721 228	0,47 лв

Капачки

	Описание	За застъп	Надпис	Код	Цена
	Капачка за тяло на панта Tiomos, стомана, никел, надпис GRASS	0/3/9.5/19	Лого GRASS	0033-F072 135 550 247	0,21 лв
	Капачка за чашка на панта Tiomos, стомана, никел, без надпис	0/3/9.5/19	-	0033-F072 1355 03 540	0,52 лв

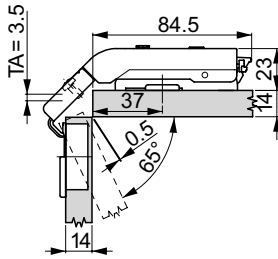
Акcesoари

	Описание	Код/цена	Designation	Art.-no.
	Скоба за намаляване на ъгъла на отваряне на 85 гр.	0033-F072 135 751 540 0,90 лв		Countersunk wood screw Ø 3.5 x 15 mm
	Tirmatic Plus кръглъл, за отвор ф10x60 мм	0033-F069 135 061 513 9,18 лв		Unclipping protector

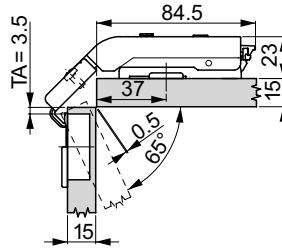
TIOMOS панта РСС ъглова (за монтаж на ъгъл)

ИНФОРМАЦИЯ ЗА МОНТАЖ

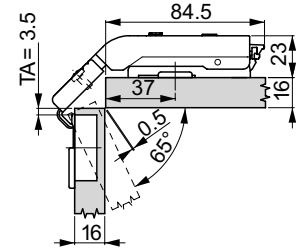
All dimensions in millimetres



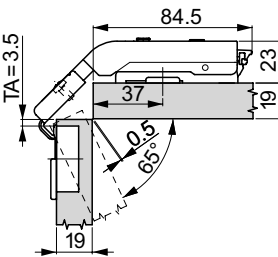
Door thickness (TS) 14 mm
Cup distance (TA) 3.5 mm
Mounting plate height 0



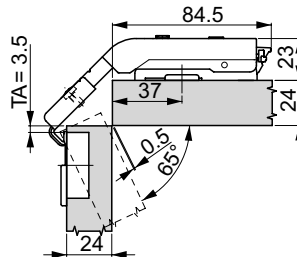
Door thickness (TS) 15 mm
Cup distance (TA) 3.5 mm
Mounting plate height 0



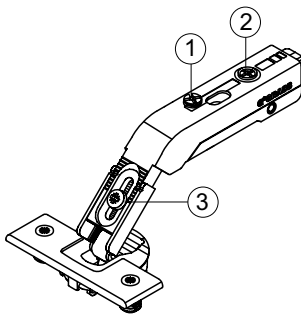
Door thickness (TS) 16 mm
Cup distance (TA) 3.5 mm
Mounting plate height 0



Door thickness (TS) 19 mm (factory setting)
Cup distance (TA) 3.5 mm
Mounting plate height 0



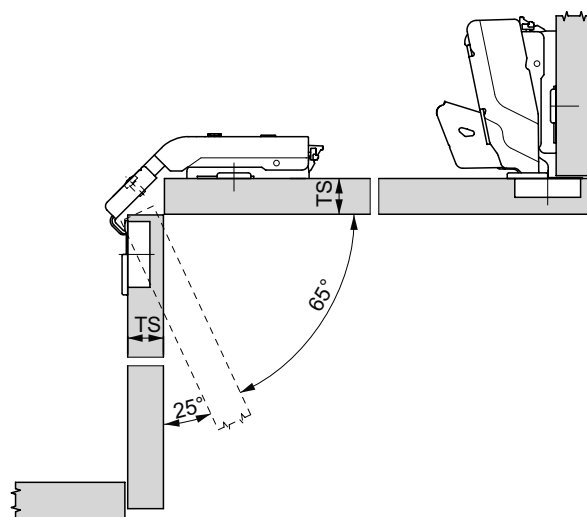
Door thickness (TS) 24 mm
Cup distance (TA) 3.5 mm
Mounting plate height 0



Adjustment in the hinge arm:

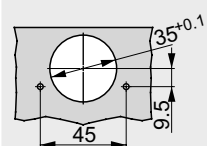
1. Stepless side adjustment ± 2 mm
2. Stepless depth adjustment via worm gear $+ 3/-2$ mm
3. Door thickness 14 - 24 mm (factory setting 19 mm)

Height adjustment via mounting plate

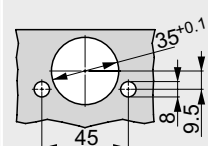


DRILLING PATTERNS 45/9.5

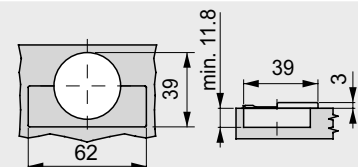
For screw fixing



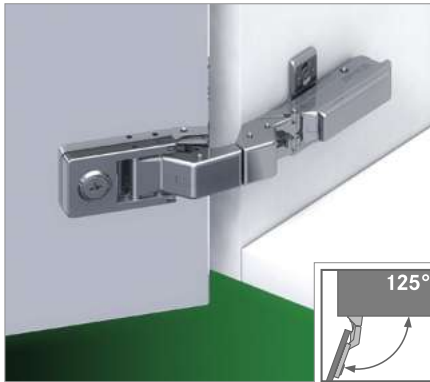
For press fitting



CUP DIMENSIONS



TIOMOS MIRRO за стъкло клипс 125 градуса



- Отваряне 125°
- Бързо и лесно залепване на адаптера към стъклото
- Свързване на адаптера с пантата с винт
- Бърз монтаж без разпробиване на стъклото
- Припокриване до 19 мм
- 3 Д регулаж с подходяща основа

Има ги в 3 варианта

- С вградено плавно (3 степенно регулиране на силата)
- Без плавно затваряне
- Без пружина

ИНФОРМАЦИЯ ЗА ПОРЪЧКА

Припокриване	Застъп	Плавно		Без пружина	Код		
		Със	Без		Клипс Монтаж с винтове	Цена	
	14	■	-	-	0033-F029 140 325 217	13,52лв	
		-	■	-	0033-F047 140 326 217	11,56лв	
		-	■	■	0033-F049 140 327 217	11,80лв	

Материал на чашката: ЦАМ, никел/ материал на тялото: ЦАМ, никел

Основа /за повече видове виж накрая/

Описание	Код	Цена
<p>Основа за панта Тiомос клипс, закрепване с винт за дърво ф3,5 x 15 мм</p>	0033-F058 139 721 228	0,47 лв

Капачки

Описание	За застъп	Надпис	Код	Цена
<p>Капачка за тяло на панта Тiомос, стомана, никел, надпис GRASS</p>	0/3/9.5/19	Лого GRASS	0033-F072 135 550 247	0,21 лв

Акcesoари

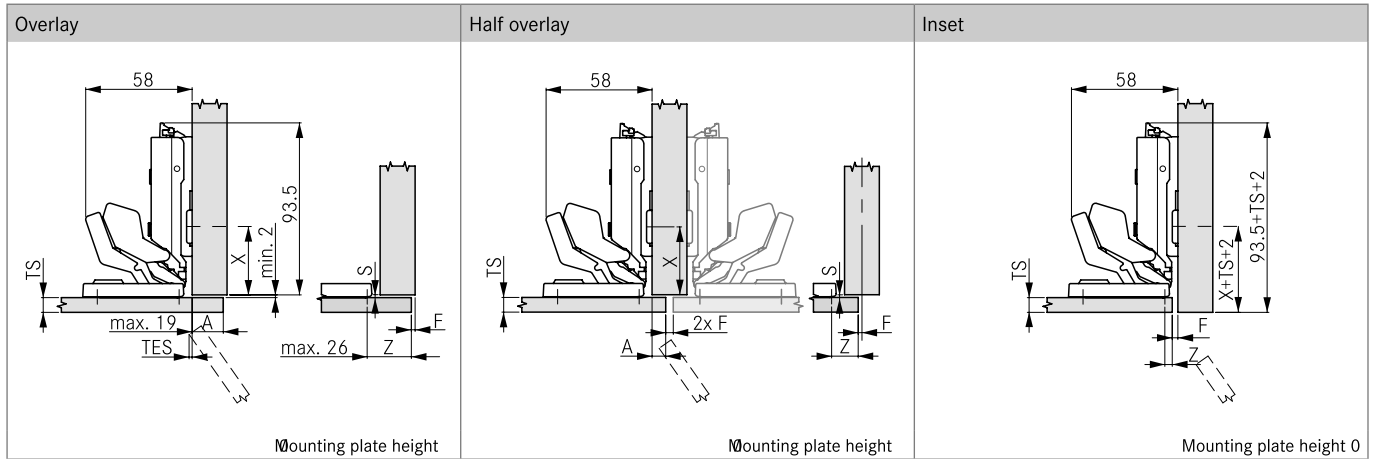
Описание	Код/цена
<p>Tirmatic Plus кръглъл, за отвор ф10x60 мм</p>	0033-F069 135 061 513 9,18 лв
<p>Скоба за намаляване на ъгъла на отваряне на 85 гр. за Тiомос Mirro, Mg и Mo</p>	0033-F072 135 871 517 0,84 лв
<p>ЦАМ адаптор за Тiомос Mirro за огледало</p>	0033-F072 135 868 217 3,14 лв

Описание	Код/цена
<p>Подложка +5° за основа за панта Тiомос</p>	0033-F072 135 757 217 1,17 лв
<p>Подложка -5° за основа за панта Тiомос</p>	0033-F072 135 758 217 1,18 лв
<p>Адаптор за стъкло за панти Nexis и Тiомос</p>	0033-F069 073 731 217 1,69 лв

TIOMOS MIRRO за стъкло клипс 125 градуса

ИНФОРМАЦИЯ ЗА МОНТАЖ

All dimensions in millimetres



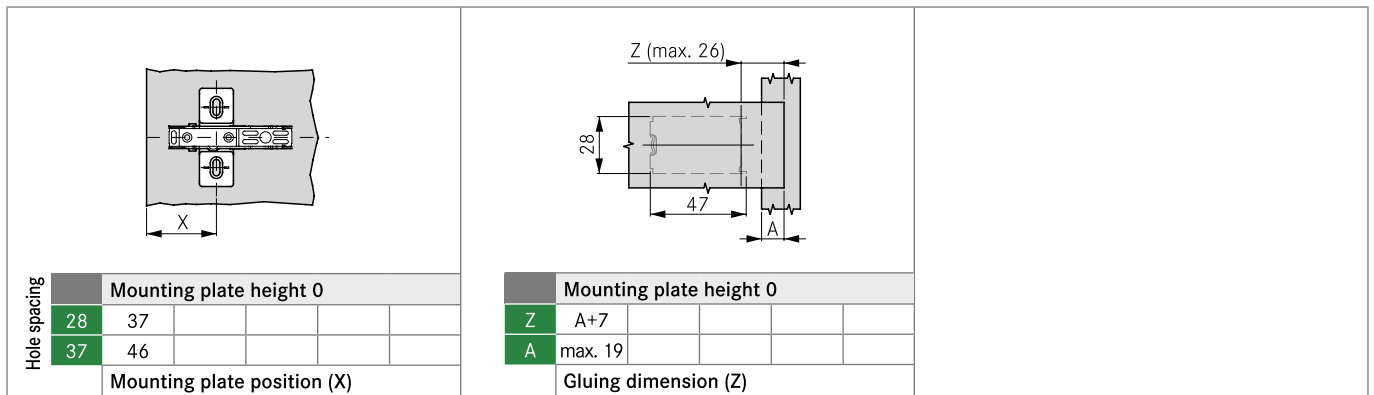
MINIMUM GAP/MINIMUM REVEAL

values for 0 mounting plate height

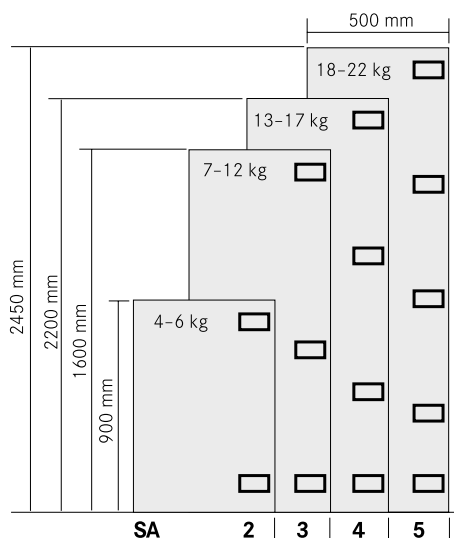
Gluing dimension (Z)	4	5	13	15	17	19	21	22	24	26
Door protrusion (TES)	0	0	0	0	0	0	0	0.5	1.5	3
Door overlay (A)	-3	-2	6	8	10	12	14	15	17	19
min. reveal (F)/gap (S)	F	S	F	S	F	S	F	S	F	S
Door thickness 3-8 (TS)	2	2	2	2	2	2	2	2	2	2

ECO CROSS-MOUNTING PLATE

STAINLESS STEEL ADAPTER



NUMBER OF HINGES



NOTES

Inserting of the door is achieved via a modified mounting plate attachment spacing (X) and a small gluing gap (Z).

ⓘ **Attention:** With mirror or glass doors, all reveals must be at least 1.5 mm (otherwise there is a risk of breakage).

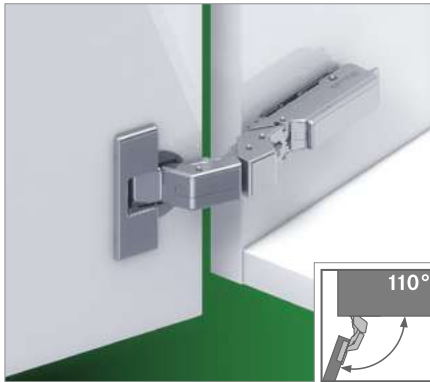
The inner door edge must not touch the rack upon opening.

ⓘ **Installation advice:** Please contact your glass or door supplier in respect of glue selection and how to use the glue for fastening of the hinge retainer on mirror or glass doors.

ⓘ **Liability claims:** GRASS cannot accept any liability either for the glue used or the gluing process nor can it accept any responsibility for claims arising therefrom; we kindly ask for your understanding in this respect.

ⓘ **Attention:** Mirro hinges must not be used with cam mounting plates.

TIOMOS M9 клипс 110 градуса (за дебелини от 12 мм)



- За дебелина на вратата до 28 мм
- 35 мм отвор за пантата във вратата
- Плитко вкопаване от 9 мм
- Припокриване до 25 мм
- 3 Д релаж с подходяща основа

Има ги в 3 варианта

- С вградено плавно (3 степенно регулиране на силата)
- Без плавно затваряне
- Без пружина

ИНФОРМАЦИЯ ЗА ПОРЪЧКА ЗА РАЗПРОБИВАНЕ 45/9.5

Припокриване	Застъп	Плавно		Без пружина	Код		
		Със	Без		Клипс Монтаж с винтове	Цена	
	14	■	-	-	0033-F029 140 334 217	11.80лв	
		-	■	-	0033-F047 140 335 217	9.84лв	
		-	■	■	0033-F049 140 336 217	10.09лв	

Материал на чашката: ЦАМ, никел/ материал на тялото: ЦАМ, никел

Основа /за повече видове виж накрая/

	Описание	Код	Цена
	Основа за панта Тiмос клипс, закрепване с винт за дърво ф3.5 x 15 мм	0033-F058 139 721 228	0,47 лв

Капачки

	Описание	За застъп	Надпис	Код	Цена
	Капачка за тяло на панта Тiмос, стомана, никел, надпис GRASS	0/3/9.5/19	Лого GRASS	0033-F072 135 550 247	0,21 лв
	Капачка за чашка на панта Тiмос, стомана, никел, без надпис	0/3/9.5/19	-	0033-F072 1355 03 540	0,52 лв

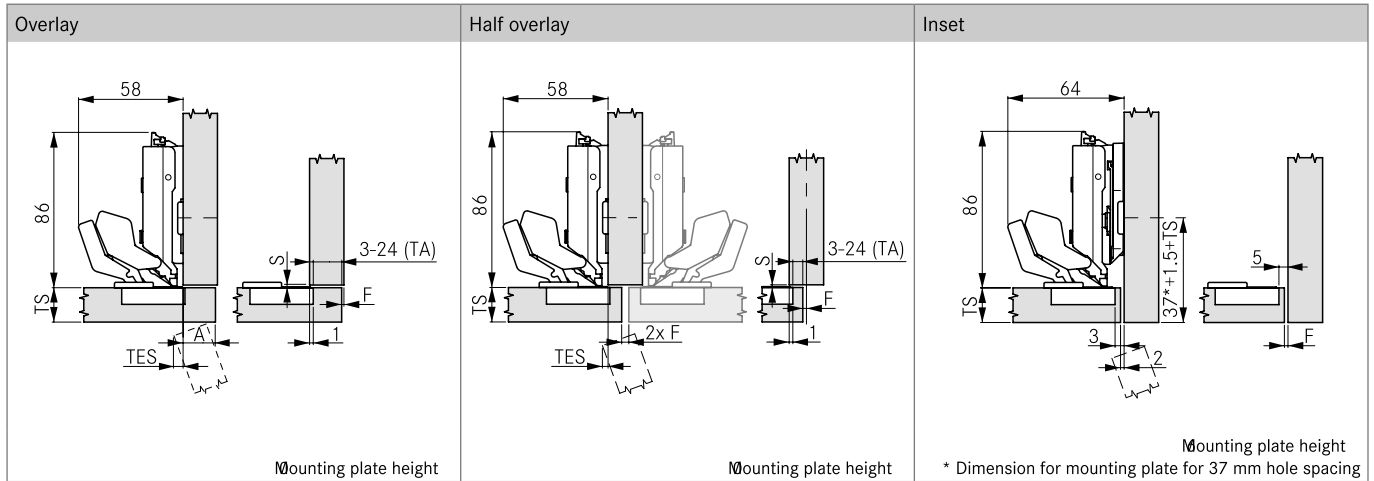
Акcesoари

	Описание	Код/цена
	Tirmatic Plus кръглъл, за отвор ф10x60 мм	0033-F069 135 061 513 9,18 лв
	Скоба за намаляване на ъгъла на отваряне на 85 гр. за Tiomos Mirro, M9 и M0	0033-F072 135 871 517 0,84 лв

TIOMOS M9 клипс 110 градуса (за дебелини от 12 мм)

ИНФОРМАЦИЯ ЗА МОНТАЖ

All dimensions in millimetres



MINIMUM GAP/MINIMUM REVEAL

values for 0 mounting plate height

Door thickness (TS)	Cup distance (TA)		Door protrusion (TES)		Door overlay (A)		min. reveal (F)/gap (S)	
	F	S	F	S	F	S	F	S
12-20	1	1.5	1	1.5	1	1.5	1	1.5
22	1	1.5	1	1.5	1	1.5	1	1.5
24	1	1.5	1.2	1.5	1.3	1.5	1.5	1.5
26	2.2	1.5	2.4	1.5	2.7	1.5	3.1	1.5
28	3.9	1.5	4.3	1.5	5.1 ¹	1.5	6.3 ¹	1.5

Door thickness (TS)	Cup distance (TA)		Door protrusion (TES)		Door overlay (A)		min. reveal (F)/gap (S)	
	F	S	F	S	F	S	F	S
12-20	1	1.5	1	1.5	1	1.5	1	1.5
22	4	1.5	3.5	1.5	3	1.5	2.2	1.5
24	6	1.5	5.2	1.5	4.5	1.5	4	1.5
26	8	1.5	7.2	1.5	6.4	1.5	5.1	1.5
28	10 ¹	1.5	9.2	1.5	8.4	1.5	7.6	1.5

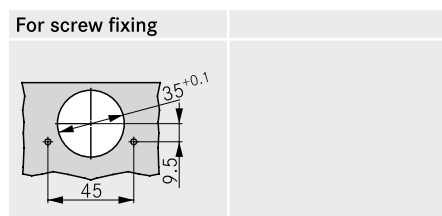
¹ Value achievable by use of a 85° opening angle reduction clip

NOTE

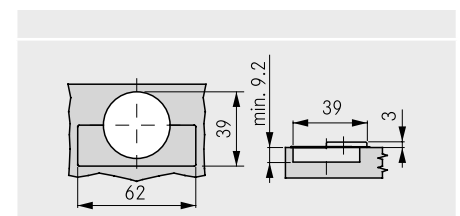
Minimum reveal for doors with chamfered edges (R = 1 mm) set at factory setting.

Trial fitting is recommended for all door thicknesses.

DRILLING TEMPLATE 45/9.5



CUP DIMENSIONS



TIOMOS M0 клипс 125 градуса (за дебелини от 6 до 10 мм)



- За дебелина на вратата от 6 до 10 мм
- Не е нужен отвор във вратата
- 3 Д регулаж
- Припокриване до 25 мм
- Съвместима с основите за Tiomos
- Отваряне на 125°

Има ги в 3 варианта

- С вградено плавно (3 степенно регулиране на силата)
- Без плавно затваряне
- Без пружина

ИНФОРМАЦИЯ ЗА ПОРЪЧКА

Припокриване	Застъп	Плавно		Без пружина	Код		
		Със	Без		Клипс Монтаж с винтове	Цена	
	-	■	-	-	0033-F029 140 331 217	12,54лв	
		-	■	-	0033-F047 140 332 217	10,58лв	
		-	■	■	0033-F049 140 333 217	10,83лв	

Основа /за повече видове виж накрая/

	Описание	Код	Цена
	Основа за панта Tiomos клипс, закрепване с винт за дърво ф3.5 x 15 мм	0033-F058 139 721 228	0,47 лв

Капачки

	Описание	За застъп	Надпис	Код	Цена
	Капачка за тяло на панта Tiomos, стомана, никел, надпис GRASS	0/3/9.5/19	Лого GRASS	0033-F072 135 550 247	0,21 лв

Акcesoари

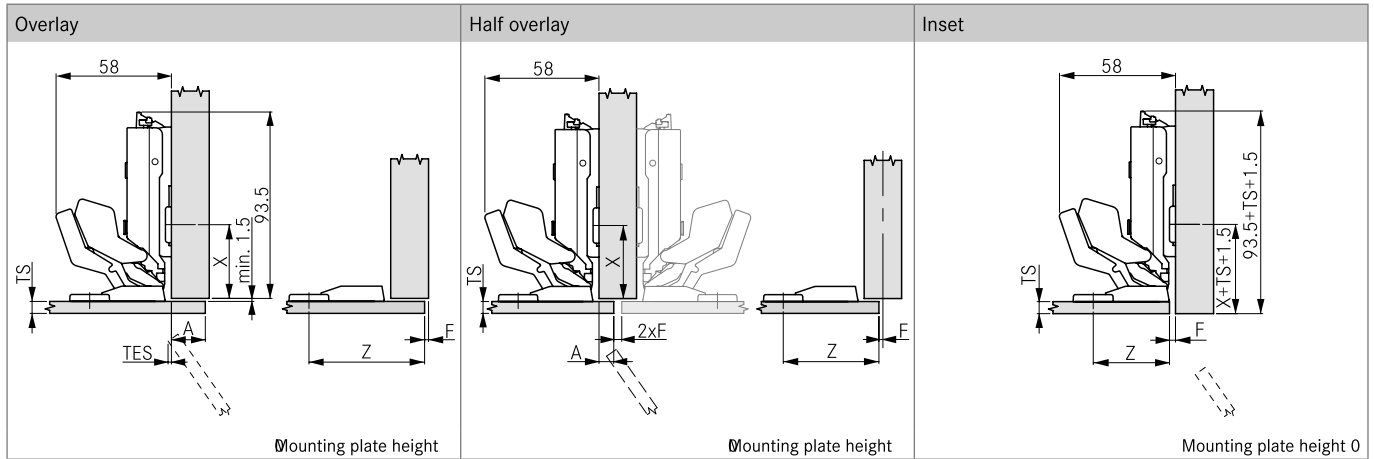
	Описание	Код/цена
	Tirmatic Plus кръглъл, за отвор ф10x60 мм	0033-F069 135 061 513 9,18 лв
	Скоба за намаляване на ъгъла на отваряне на 85 гр. за Tiomos Mirro, Mg и Mo	0033-F072 135 871 517 0,84 лв
	Метален адаптор за Tiomos Mirro за огледало	0033-F069 073 731 217 1,69 лв

	Описание	Код/цена
	Подложка +5° за основа за панта Tiomos	0033-F072 135 757 217 1,17 лв
	Подложка -5° за основа за панта Tiomos	0033-F072 135 758 217 1,18 лв

TIOMOS M0 клипс 125 градуса (за дебелини от 6 до 10 мм)

ИНФОРМАЦИЯ ЗА МОНТАЖ

All dimensions in millimetres



MINIMUM GAP/MINIMUM REVEAL

Values with a mounting plate height 0

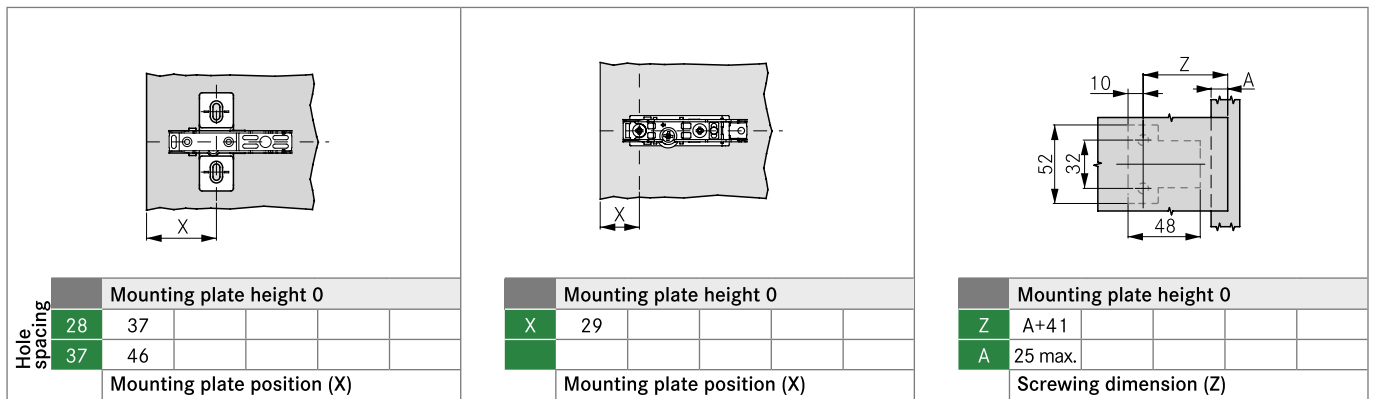
Screwing dimension (Z)	38	39	47	49	51	53	55	56	58	60	61	63	64	66
Door protrusion (TES)	0	0	0	0	0	0	0	0.5	1.5	3	3.4	0	0	0
Door overlay (A)	-3	-2	6	8	10	12	14	15	17	19	20	22 ¹	23 ¹	25 ¹
Min. reveal (F)/gap (S)	F S	F S	F S	F S	F S	F S	F S	F S	F S	F S	F S	F S	F S	F S
Door thickness 6-10 (TS)	2	1.5	2	1.5	2	1.5	2	1.5	2	1.5	2	1.5	2	2.5

¹ Door thickness A = 22 - 25 only with opening angle reduction clip.

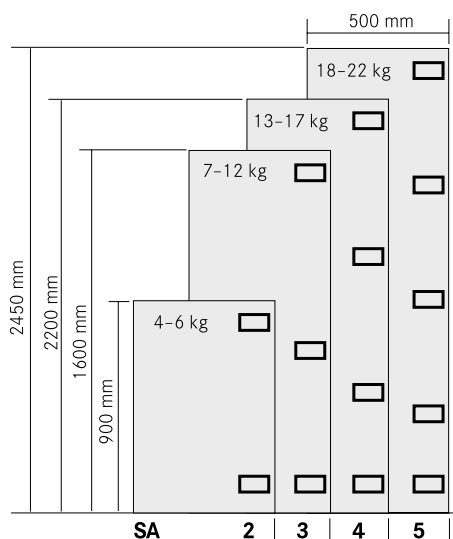
CROSS MOUNTING PLATE

LINEAR MOUNTING PLATE

SCREWING POSITION



NUMBER OF HINGES



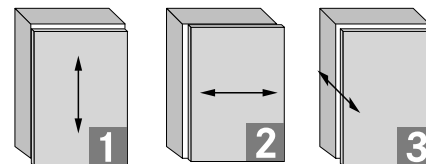
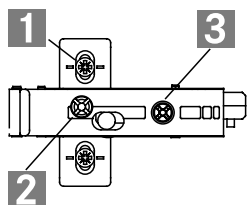
NOTES

An inset application is achieved with the mounting plate (X) and a low housing screwing distance (Z).

- ① **Installation advice**
Countersunk screw M4 x 8 mm:
 1. Drill a Ø 3.3 mm hole
 2. Cut a Ø 4 mm thread
 3. Position the hinge and secure with the screws
- ① **Installation advice**
Countersunk screw M4 x 8 mm with sleeve M4 x 5.5 mm:
 1. Drill a Ø 5 mm hole
 2. Drilling depth: 6mm
 3. Slightly countersink the edge of the hole
 4. Insert the sleeve
 5. Knock in the sleeve with a hammer
 6. Position the hinge and secure with the screws

- ① **Installation advice**
Euro cheesehead screw Ø 6.3 x 10.5 mm:
 1. Drill a Ø 5 mm hole
 2. Position the hinge and secure with the screws
- ① **Installation advice:** Depending on the type and thickness of the base material the pull-out resistances can vary with the same fastening method. For information regarding the selection and processing of the base material please contact the base material supplier.
- ① **Liability claims:** Please note that GRASS cannot accept any liability for damage resulting from unsuitable fastening materials or methods.

TIOMOS Основи клипс



(HV) Height adjustment
+/-2.5 mm

(SV) Side adjustment
+/-2 mm

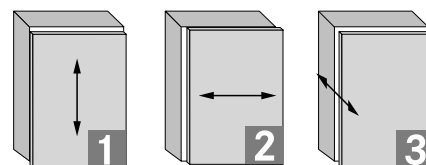
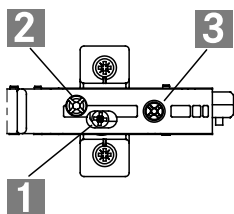
(TV) Depth adjustment
+3/-2 mm

All adjustments can be carried out independently of each other.

ИНФОРМАЦИЯ ЗА ПОРЪЧКА

Основа с 1Д реглаж, монтаж с 4 винта 3.5x15 мм

For screw fixing	37/32	Height	Art.-no.
<ul style="list-style-type: none"> Steel, nickel-plated Fixing with wood screws Ø 3.5 x 15 mm Height adjustment (HV) via slot 		-2	0033-F058 139 720 228 0,56лв
		0	0033-F058 139 721 228 0,47лв
		2	0033-F058 139 722 228 0,56лв
		3	0033-F058 139 723 228 0,62лв
		3.5	0033-F058 139 724 228 0,66лв



(HV) Height adjustment
+/-2 mm

(SV) Side adjustment
+/-2 mm

(TV) Depth adjustment
+3/-2 mm

All adjustments can be carried out independently of each other.

ИНФОРМАЦИЯ ЗА ПОРЪЧКА

Основа с 1Д реглаж с пластина, монтаж с 4 винта 3.5x15 мм

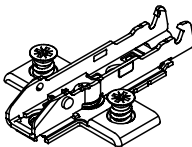
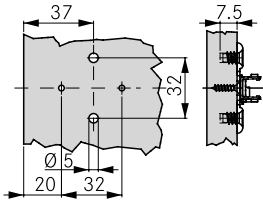
For screw fixing	37/32	Height	Colour	Art.-no.
<ul style="list-style-type: none"> Steel, nickel-plated / night Fixing with wood screws Ø 3.5 x 15 mm With convenient height adjustment (HV) via worm gear 		0	nickel	0033-F058 139 746 228 1,13лв
		2	nickel	0033-F058 139 747 217 1,56лв
		3	nickel	0033-F058 139 748 217 1,62лв
		3.5	nickel	0033-F058 139 749 217 1,62лв
				0033-F058 139 749 217 1,62лв

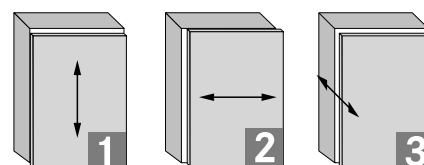
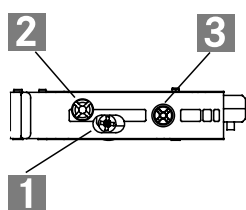
Основа с 1Д реглаж с пластина, монтаж с 2 винта 3.5x15 мм

For screw fixing	37/32	Height	Art.-no.
<ul style="list-style-type: none"> Zamak/steel, nickel-plated Fixing with wood screws Ø 3.5 x 15 mm With convenient height adjustment (HV) via worm gear 		9.5	
		12	
		14	
		15	
		15.5	
		19	0033-F058 139 894 217 5,20лв

TIOMOS Основи клипс

Основа с 1Д регулаж, монтаж с 2 евровинта 6.3x10 мм и 2 винта 3.5x15 мм

With pre-assembled Euro screws (10 mm)	37/32	Height	Art.-no.
<ul style="list-style-type: none"> Steel, nickel-plated Fixing with pre-assembled Euro screws \varnothing 6.3 x 10 mm With convenient height adjustment (HV) via worm gear For twin application 		0	0033-F058 139 863 228 1,50лв
		2	
		3	
		3.5	

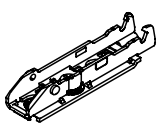
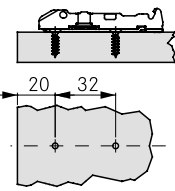


(HV) Height adjustment +/- 2 mm
(SV) Side adjustment +/- 2 mm
(TV) Depth adjustment +/- 2 mm

All adjustments can be carried out independently of each other.

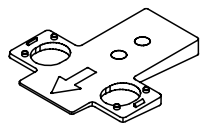
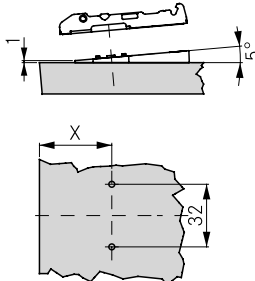
ИНФОРМАЦИЯ ЗА ПОРЪЧКА

Основа скрита с 1Д регулаж с пластина, монтаж с 2 винта 3.5x15 мм или 2 евровинта 6.3x13.5

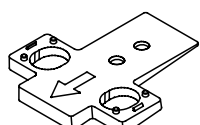
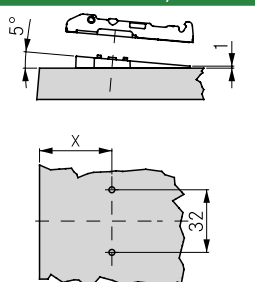
For screw fixing	20/32	Height	Colour	Art.-no.
<ul style="list-style-type: none"> Steel, nickel-plated / night Fixing with wood screws \varnothing 3.5 x 15 mm or with Euro screws \varnothing 6.3 x 13.5 mm With convenient height adjustment (HV) via worm gear 		0	nickel	0033-F059 139 701 228 1,22лв
		2	nickel	0033-F059 139 702 217 1,50лв
		3	nickel	0033-F059 139 703 228 1,62лв
		3.5	nickel	0033-F059 139 704 228 1,62лв

ИНФОРМАЦИЯ ЗА ПОРЪЧКА

+5 градуса подложна планка

For screw fixing	37/32	Art.-no.
<ul style="list-style-type: none"> Zamak, nickel-plated For placing under cross mounting plates Up to triple stack (we recommend a trial fitting) 		0033-F072 135 757 217 1,17лв

-5 градуса подложна планка

For screw fixing	37/32	Art.-no.
<ul style="list-style-type: none"> Zamak, nickel-plated For placing under cross mounting plates Up to triple stack (we recommend a trial fitting) 		0033-F072 135 758 217 1,18лв

TIOMOS капачки

	Designation	Cranking		Art.-no.
	Hinge arm cover cap, steel, nickel-plated, not imprinted	0/3/9.5/19	On request	
	Hinge arm cover cap, steel, night, not imprinted			
	Hinge arm cover cap, steel, long, nickel-plated, not imprinted	0/3	On request	
	Hinge arm cover cap, left, steel, nickel-plated, GRASS imprint	0/3/9.5/19	GRASS logo	0033-F072 135 550 247 0,27лв
	Hinge arm cover cap, right, steel, nickel-plated, GRASS imprint			0033-F072 135 551 247 0,27лв
	Hinge arm cover cap, left/right, steel, nickel-plated, GRASS imprint	0/3/9.5/19	GRASS logo (mirrored)	
	Premium hinge arm cover cap with integrated clip protection, plastic, black, not imprinted	0/3/9.5/19	On request	
	Hinge cup cover cap, steel, nickel-plated, not imprinted	-	On request	0033-F072 135 503 540 0,52лв
	Hinge cup cover cap, steel, night, not imprinted			

TIOMOS шаблон



- Лесен за ползване
- Разстояние до чашката 3 – 5 mm
- Посравяне в отвора на чашката
- За скрити основи
- За нормални основи

	Код/цена
	0033-F146 135 865 202 7,31лв

TIOMOS инструмент разпробиване



Използва се за пробиване за винтове Ø 3.5 mm.

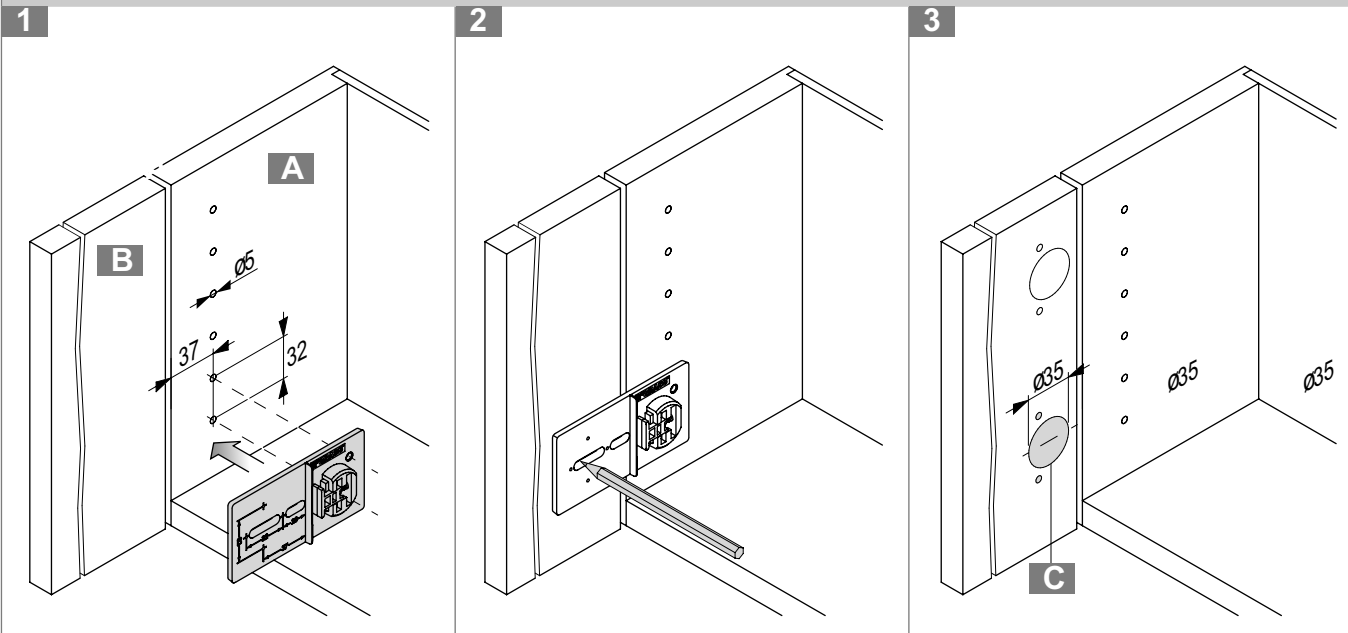
	Код/цена
	003-F146 035 692 299 97,86лв

TIOMOS шаблон

ИНФОРМАЦИЯ ЗА МОНТАЖ

Тiomos comfort marking gauge

При използване на съществуващи отвори на 37 мм



Използване при съществуващ отвор за чашката

